



Austrian Institute of Construction Engineering
 Schenkenstrasse 4 | T+43 1 533 65 50
 1010 Vienna | Austria | F+43 1 533 64 23
 www.oib.or.at | mail@oib.or.at



European Technical Assessment

ETA-17/0843
of 12.02.2020

General part

Technical Assessment Body issuing the European Technical Assessment

Österreichisches Institut für Bautechnik (OIB)
Austrian Institute of Construction Engineering

Trade name of the construction product

Soudafoam FR Duo fire protection system

Product family to which the construction product belongs

Fire Stopping and Fire Sealing Products:
Penetration Seals

Manufacturer

Soudal Oy
Teollisuustie 6
51200 Kangasniemi
FINLAND

Manufacturing plant

Soudal Oy
A/003

This European Technical Assessment contains

43 pages including Annexes A-1 to J-1 which form an integral part of this assessment

This European Technical Assessment is issued in accordance with Regulation (EU) No 305/2011, on the basis of

European Assessment Document (EAD) 350454-00-1104 „Fire stopping and fire sealing products – Penetration seals”

This European Technical Assessment replaces

European Technical Assessment ETA-17/0843 of 27.11.2017

This European Technical Assessment is not to be transferred to manufacturers or agents of manufacturer other than those indicated on page 1, or manufacturing plants other than those laid down in the context of this European Technical Assessment.

Translations of this European Technical Assessment in other languages shall fully correspond to the original issued document and should be identified as such.

Communication of this European Technical Assessment, including transmission by electronic means, shall be in full. However, partial reproduction can be made with the written consent of the Österreichisches Institut für Bautechnik. In this case, partial reproduction has to be designated as such.

This European Technical Assessment may be withdrawn by the Österreichisches Institut für Bautechnik, in particular pursuant to information by the Commission according to Article 25 (3) of Regulation (EU) No 305/2011.

electronic copy
electronic copy
electronic copy
electronic copy
electronic copy
electronic copy
electronic copy

Specific parts

1 Technical description of the product

“Soudafoam FR Duo fire protection system” is a kit to be used as a mixed penetration seal or cable penetration seal based on the following components and additional insulations.

Components of “Soudafoam FR Duo fire protection system”	Characteristics
Soudafoam FR Duo	Intumescent fire protection foam in cartridges on the basis of polyurethane. After application it reacts and increases its volume
Soudawrap Z Ins FR	Intumescent fire protection wrap on the basis of butyl rubber and glass fabric reinforcement with a nominal width of 150 mm and a nominal thickness of 3 mm
Soudablock FR	Intumescent fire protection block (can be vacuum-packed) on the basis of polyurethane
Soudacollar Z Flex FR	Pipe collar according to Annex E-6 of the ETA with sheet steel housing and an inlay made of intumescent material

Insulations (additional components)	Characteristics
Prefabricated pipe shells	Prefabricated pipe shells according to EN 14303 made from stone wool with classification A _{2L} -s ₁ ,d ₀ or A _{1L} according to EN 13501-1, a minimum density of 90 kg/m ³ and a melting point > 1000 °C according to DIN 4102-17 (e.g. “Rockwool 800” from manufacturer “Deutsche Rockwool Mineralwoll GmbH & Co. OHG”)
AF/Armaflex	Closed cell, flexible elastomeric foam (FEF) insulation in form of (slotted) tubes (can be provided with a self-adhesive device) with classification B _L -s ₃ ,d ₀ – including “Armaflex 520” – according to EN 13501-1 from manufacturer “Armacell GmbH”
AF/Armaflex Band selbstklebend (AF/Armaflex self-adhesive tape)	Closed cell, flexible elastomeric foam (FEF) insulation in form of tapes with a self-adhesive device with classification B-s ₃ ,d ₀ according to EN 13501-1 from manufacturer “Armacell GmbH”
Armaflex 520	Polychlorene-based adhesive, free from aromatic compounds (special adhesive for processing of all flexible Armaflex insulating material – except “HT/Armaflex”) from manufacturer “Armacell GmbH”

2 Specification of the intended use(s) in accordance with the applicable European Assessment Document (hereinafter EAD)

2.1 Intended use

“Soudafoam FR Duo fire protection system” is intended to be used as a mixed penetration seal or cable penetration seal to temporarily or permanently reinstate the fire resistance performance of flexible wall constructions, rigid wall constructions and rigid floor constructions where they have been provided with apertures which are penetrated by various cables, conduits / tubes, metal pipes, plastic pipes and cable support constructions (perforated or non-perforated steel cable trays and steel ladders).

The thickness of the penetration seal has to be minimum 144 mm or 200 mm (mixed penetration seal; depending on the fire resistance classification; see Annex F-1 of the ETA) and minimum 100 mm, 144 mm, 200 mm or 250 mm (cable penetration seal; depending on the fire resistance classification; see Annex J-1 of the ETA).

The maximum opening size of the penetration seal has to comply with the dimensions as specified in the following table.

Blank penetration seals with maximum opening sizes as specified in the following table have been tested.

“Soudafoam FR Duo fire protection system” can be installed only in the types of separating elements as specified in the following table.

Separating element	Construction	a) Maximum opening size of the penetration seal (width x height) b) Minimum thickness of the penetration seal
Flexible walls	<ul style="list-style-type: none"> > Steel studs or timber studs lined on both faces with minimum 2 layer of boards (minimum thickness 12,5 mm), or minimum one layer of boards (minimum thickness 25 mm) with classification A2-s1,d0 or A1 according to EN 13501-1 > For timber stud walls there shall be a minimum distance of 100 mm of the penetration seal to any timber stud. The cavity between the penetration seal and the timber stud has to be closed with minimum 100 mm of insulation with classification A1 or A2 according to EN 13501-1 > Minimum thickness 94 mm > Classification according to EN 13501-2: ≥ EI 60 > This European Technical Assessment does not cover sandwich panel constructions and flexible walls where the lining does not cover studs on both sides. Penetrations in such constructions shall be tested on a case by case basis 	<p><u>Mixed penetration seal (see Annex B-1 of the ETA):</u> a) 450 x 500 [mm] b) 144 mm / 200 mm</p> <p><u>Cable penetration seal (see Annex G-1 of the ETA):</u> a) 270 x 270 [mm] / Ø 300 mm b) 100 mm / 144 mm / 200 mm / 250 mm</p>

electronic copy

“Soudafoam FR Duo fire protection system” can only be configured as specified in the following tables. Other parts or service support constructions shall not penetrate the penetration seal.

Penetrating element	Construction characteristics of the penetrating element in “Soudafoam FR Duo fire protection system” in flexible walls, rigid walls and rigid floors
Cables	<ul style="list-style-type: none"> > All types of sheathed cables¹ (except waveguides) currently and commonly used in building practice in Europe (e.g. electrical / telecommunication / data / optical fibre cables) with a diameter ≤ 80 mm > Tied bundles² up to 100 mm overall diameter containing sheathed cables (except waveguides) currently and commonly used in building practice in Europe (e.g. electrical / telecommunication / data / optical fibre cables) with a diameter ≤ 21 mm > Non-sheathed electrical cables with a diameter ≤ 24 mm
Conduits / Tubes	<ul style="list-style-type: none"> > Steel conduits / tubes, Ø ≤ 16 mm, wall thickness minimum 1,5 mm (with / without cables): steel conduits according to EN 61386-21 > Plastic conduits, Ø ≤ 16 mm, wall thickness 1,0 mm to 3,0 mm (with / without cables) according to EN 61386-21 or EN 61386-22 > Plastic conduits, Ø ≤ 40 mm, wall thickness 1,0 mm to 3,0 mm (with / without cables) according to EN 61386-21 or EN 61386-22 > Plastic conduits, Ø ≤ 63 mm, wall thickness 1,0 mm to 3,0 mm (with / without cables) according to EN 61386-21 or EN 61386-22 > Bundles with a maximum Ø of 80 mm consisting of plastic conduits, Ø ≤ 40 mm, wall thickness 1,0 mm to 3,0 mm (with / without cables) according to EN 61386-21 or EN 61386-22 > Bundles with a maximum Ø of 100 mm consisting of plastic conduits, Ø ≤ 63 mm, wall thickness 1,0 mm to 3,0 mm (with / without cables) according to EN 61386-21 or EN 61386-22 > “speed-pipe®” from manufacturer “gabo Systemtechnik GmbH” of dimension (diameter x wall thickness) 7 mm x 0,75 mm, 10 mm x 1,0 mm, 12 mm x 1,1 mm, 7 mm x 1,5 mm, 10 mm x 2,0 mm and 12 mm x 2,0 mm (with / without optical fibre cables) > Bundles with a maximum Ø of 80 mm consisting of “speed-pipe®” from manufacturer “gabo Systemtechnik GmbH” of dimension (diameter x wall thickness) 7 mm x 0,75 mm, 10 mm x 1,0 mm, 12 mm x 1,1 mm, 7 mm x 1,5 mm, 10 mm x 2,0 mm and 12 mm x 2,0 mm (with / without optical fibre cables)

¹ Single or multicore cable with individual insulation of the cores and an additional protective covering of the assembly

² Several cables running in the same direction, densely packed and bound tightly together by mechanical means

electronic copy

Penetrating element	Construction characteristics of the penetrating element in “Soudafoam FR Duo fire protection system” in flexible walls, rigid walls and rigid floors
Plastic pipes	<ul style="list-style-type: none"> > PVC-U pipes according to EN ISO 1452-1 and DIN 8061 / DIN 8062 with diameters and wall thicknesses as defined in Annex E-2 of the ETA. For interpolation between pipe diameters and wall thicknesses see Annex E-5 of the ETA. > PE-HD pipes according to EN 1519-1 and DIN 8074 / DIN 8075 with diameters and wall thicknesses as defined in Annex E-2 of the ETA. For interpolation between pipe diameters and wall thicknesses see Annex E-5 of the ETA. > “SC-SH-16/E30”, “SC-SH-18/E30” and “SC-SH-20/E30” from manufacturer “Armacell GmbH” with a maximum diameter of 28 mm and a maximum wall thickness of 4 mm.
Metal pipes	<ul style="list-style-type: none"> > Metal pipes of reaction to fire class A1 according to EN 13501-1 with a melting or decomposition point greater or equal than copper (945 °C for EI 60; 1006 °C for EI 90; 1049 °C for EI 120) and a thermal conductivity smaller or equal than copper with diameters and wall thicknesses as defined in Annex E-1 and Annex E-2 of the ETA. For interpolation between pipe diameters and wall thicknesses see Annex E-1 and Annex E-2 of the ETA. > Metal pipes of reaction to fire class A1 according to EN 13501-1 with a melting or decomposition point greater or equal than steel (945 °C for EI 60; 1006 °C for EI 90; 1049 °C for EI 120) and a thermal conductivity smaller or equal than steel with diameters and wall thicknesses as defined in Annex E-1 and Annex E-2 of the ETA. For interpolation between pipe diameters and wall thicknesses see Annex E-1 and Annex E-2 of the ETA. > “Tubolit® Split” from manufacturer “Armacell GmbH” with diameters and wall thicknesses as defined in Annex E-3 of the ETA. > “Tubolit® DuoSplit” from manufacturer “Armacell GmbH” with diameters and wall thicknesses as defined in Annex E-3 of the ETA. > “WICU® Flex” from manufacturer “KME Germany GmbH & Co. KG” or “Wieland-Werke AG” with diameters and wall thicknesses as defined in Annex E-3 of the ETA. > “WICU® Frio” from manufacturer “KME Germany GmbH & Co. KG” with diameters and wall thicknesses as defined in Annex E-3 of the ETA. > “WICU® Clim” from manufacturer “KME Germany GmbH & Co. KG” with diameters and wall thicknesses as defined in Annex E-3 of the ETA. > “WICU® Eco” from manufacturer “KME Germany GmbH & Co. KG” with diameters and wall thicknesses as defined in Annex E-3 of the ETA.
Cable support constructions	<ul style="list-style-type: none"> > Steel cable trays (perforated or non-perforated) > Steel ladders > Steel cable trays (perforated or non-perforated) and steel ladders with organic coatings shall at least be classified A2-s1,d0 according to EN 13501-1

electronic copy electronic copy electronic copy electronic copy electronic copy electronic copy electronic copy electronic copy electronic copy electronic copy

2.4.3 This European Technical Assessment does not verify the prevention of destruction of adjacent building elements with fire separating function or of the pipes themselves due to distortion forces caused by extreme temperatures. These risks shall be accounted for by taking appropriate measures when designing or installing the pipe work.

The mounting or hanging of the pipes or the layout of the pipe work shall be implemented in such a way that the pipes and the fire resistant building elements shall remain functional within a period of time which corresponds to the fire resistance period required.

2.4.4 The risk of downward spread of fire caused by burning material which drips through a pipe to floors below, is not considered in this European Technical Assessment (see EN 1366-3:2009, clause 1).

2.4.5 The durability assessment does not take account of the possible effect on the penetration seal of substances permeating through the pipe walls.

2.4.6 The assessment does not cover the avoidance of destruction of the penetration seal or of the adjacent building element(s) by forces caused by temperature changes in case of fire. This has to be considered when designing the piping system.

2.5 Manufacturing

The European Technical Assessment is issued for the product on the basis of agreed data / information, deposited with the Österreichisches Institut für Bautechnik, which identifies the product that has been assessed and judged. Changes to the product or production process, which could result in this deposited data / information being incorrect, should be notified to the Österreichisches Institut für Bautechnik before the changes are introduced.

The Österreichisches Institut für Bautechnik will decide whether or not such changes affect the European Technical Assessment and consequently the validity of the CE marking on the basis of the European Technical Assessment and if so whether further assessment or alterations to the European Technical Assessment, shall be necessary.

3 Performance of the product and references to the methods used for its assessment

Basic requirements for construction works	Essential characteristic	Method of verification	Performance
BWR 2	Reaction to fire	EN 13501-1: 2018	Clause 3.1.1 of the ETA
	Resistance to fire	EN 13501-2: 2007+A1:2009 and EN 13501-2: 2016	Clause 3.1.2 of the ETA and Annex F-1 and Annex J-1 of the ETA
BWR 3	Air permeability	EN 1026:2016	Clause 3.2.1 of the ETA
	Water permeability	No performance assessed	
	Content, emission and/or release of dangerous substances	EAD 350454-00-1104 clause 2.2.5	Clause 3.2.3 of the ETA

Basic requirements for construction works	Essential characteristic	Method of verification	Performance
BWR 4	Mechanical resistance and stability	No performance assessed	
	Resistance to impact / movement	No performance assessed	
	Adhesion	No performance assessed	
	Durability	EAD 350454-00-1104 clause 2.2.9	Clause 3.3.4 of the ETA
BWR 5	Airborne sound insulation	EN ISO 10140-2:2010	Clause 3.4.1 of the ETA
BWR 6	Thermal properties	EN 12667:2001 and EN 12664:2001	Clause 3.5.1 of the ETA
	Water vapour permeability	No performance assessed	

3.1 Safety in case of fire (BWR 2)

3.1.1 Reaction to fire

The components of “Soudafoam FR Duo fire protection system” were assessed according to EAD 350454-00-1104 clause 2.2.1 and classified according to EN 13501-1:2018.

Component	Class according to EN 13501-1:2018
Soudafoam FR Duo	E
Soudawrap Z Ins FR	E
Soudablock FR	E
Intumescent inlay of Soudacollar Z Flex FR	E
Sheet steel housing of Soudacollar Z Flex FR	A1

3.1.2 Resistance to fire

“Soudafoam FR Duo fire protection system” was tested according to EAD 350454-00-1104 clause 2.2.2, prEN 1366-3.2:N185:2007-07 and EN 1366-3:2009 in conjunction with EN 1363-1:1999 and EN 1363-1:2012.

Based upon the gained test results and the field of application specified within prEN 1366-3.2:N185:2007-07 and EN 1366-3:2009 “Soudafoam FR Duo fire protection system” has been classified according to EN 13501-2:2007+A1:2009 and EN 13501-2:2016. The individual fire resistance classes are listed in Annex F-1 (mixed penetration seal) and Annex J-1 (cable penetration seal) of the ETA.

The maximum fire resistance class of the penetration seal in vertical or horizontal separating element depends on the fire resistance class of the penetrating elements. The fire resistance class of the penetration seal is reduced to the fire resistance class of the penetrating element with the lowest fire resistance classification.

The resistance to fire classification listed in Annex F-1 (mixed penetration seal) and Annex J-1 (cable penetration seal) of the ETA is only valid if “Soudafoam FR Duo fire protection system” is installed according to Annex A-1 to A-6 of the ETA.

The air permeability of “Soudablock FR” with a thickness of 200 mm was tested according to EN 1026:2016 in a flexible wall with a thickness of 100 mm. The aperture was lined with 1 layer of ≥ 20 mm thick calcium silicate boards (classification A1 according to EN 13501-1) with a width of 200 mm. The opening size was 355 mm x 550 mm (width x height), resp. 0,195 m².

“Soudafoam FR Duo fire protection system” was tested as blank penetration seal according to EAD 350454-00-1104 clause 2.2.3.

The components “Soudawrap Z Ins FR”, “Soudafoam FR Duo” and “Soudacollar Z Flex FR” were not included in these tests. The measurement accuracy was 0,01 m³/h.

The values given in the following table are the mean values from the pressure- and suction tests.

Δp in Pa	50	100	150	200	250	300	450	600
q/A in m ³ /(h*m ²)	0,82	1,43	1,74	2,28	3,07	3,74	4,97	6,61

3.2.2 Water permeability

No performance assessed.

3.2.3 Content, emission and/or release of dangerous substances

The release of semi-volatile organic compounds (SVOC) and volatile organic compounds (VOC) has been determined for “Soudafoam FR Duo”, “Soudawrap Z Ins FR” and “Soudablock FR” according to EAD 350454-00-1104 clause 2.2.5.1 and prEN 16516:2015. The loading factor used for emission testing was 0,007 m²/m³.

Component	Total emission of SVOC after 3 days in mg/m ³	Total emission of SVOC after 28 days in mg/m ³
Soudafoam FR Duo	0,024	0,011
Soudawrap Z Ins FR	0,060	0,020
Soudablock FR	< 0,005	< 0,005

Component	Total emission of VOC after 3 days in mg/m ³	Total emission of VOC after 28 days in mg/m ³
Soudafoam FR Duo	0,027	< 0,005
Soudawrap Z Ins FR	< 0,005	< 0,005
Soudablock FR	0,008	0,006

3.3 Safety and accessibility in use (BWR 4)

3.3.1 Mechanical resistance and stability

No performance assessed.

3.3.2 Resistance to impact / movement

No performance assessed.

Provisions shall be taken to prevent a person from stepping onto a horizontal penetration seal or falling against a vertical penetration seal (e.g. by covering with a wire mesh).

The airborne sound insulation of “Soudablock FR” with a thickness of 144 mm was tested according to EN ISO 10140-2:2010 in a flexible wall with a thickness of 200 mm. The aperture was lined with 1 layers of ≥ 25 mm thick calcium silicate boards (classification A1 according to EN 13501-1) with a width of 144 mm. The opening size was 350 mm x 350 mm (width x height), resp. 0,123 m².

“Soudafoam FR Duo fire protection system” was tested as blank penetration seal according to EAD 350454-00-1104 clause 2.2.10. The components “Soudawrap Z Ins FR”, “Soudafoam FR Duo” and “Soudacollar Z Flex FR” were not included in these tests.

The reached values for the airborne sound insulation in accordance with EN ISO 717-1:2013 are given in the following table.

D _{n,e,w} in dB	C in dB	C _{tr} in dB	R _w in dB	C in dB	C _{tr} in dB
64	-1	-6	44	-1	-6

The airborne sound insulation of “Soudablock FR” with a thickness of 200 mm was tested according to EN ISO 10140-2:2010 in a flexible wall with a thickness of 200 mm. The aperture was lined with 1 layers of ≥ 20 mm thick calcium silicate boards (classification A1 according to EN 13501-1) with a width of 200 mm. The opening size was 360 mm x 360 mm (width x height), resp. 0,130 m².

“Soudafoam FR Duo fire protection system” was tested as blank penetration seal according to EAD 350454-00-1104 clause 2.2.10. The components “Soudawrap Z Ins FR”, “Soudafoam FR Duo” and “Soudacollar Z Flex FR” were not included in these tests.

The reached values for the airborne sound insulation in accordance with EN ISO 717-1:2013 are given in the following table.

D _{n,e,w} in dB	C in dB	C _{tr} in dB	R _w in dB	C in dB	C _{tr} in dB
68	-4	-11	49	-4	-11

3.5 Energy economy and heat retention (BWR 6)

3.5.1 Thermal properties

The thermal properties of “Soudafoam FR Duo” and “Soudablock FR” were tested according to EN 12667:2001.

Component	$\lambda_{10,23/50}$ in W/(m*K)
Soudafoam FR Duo	0,088
Soudablock FR	0,103

The thermal properties of “Soudawrap Z Ins FR” were tested according to EN 12664:2001.

Component	λ_{10} in W/(m*K)
Soudawrap Z Ins FR	0,396

3.5.2 Water vapour permeability

No performance assessed.

4 **Assessment and verification of constancy of performance (hereinafter AVCP) system applied, with reference to its legal base**

4.1 **AVCP system**

According to the Decision 1999/454/EC⁶, amended by Decision 2001/596/EC⁷ of the European Commission the system of assessment and verification of constancy of performance (see Annex V of Regulation (EU) No 305/2011) is given in the following table.

Product(s)	Intended use(s)	Level(s) or class(es) (resistance to fire)	System of assessment and verification of constancy of performance
Fire Stopping and Fire Sealing Products	for fire compartmentation and/or fire protection or fire performance	any	1

In addition, according to the Decision 1999/454/EC, amended by Decision 2001/596/EC of the European Commission the system(s) of assessment and verification of constancy of performance, with regard to reaction to fire, is given in the following table.

Product(s)	Intended use(s)	Level(s) or class(es) (reaction to fire)	System of assessment and verification of constancy of performance
Fire Stopping and Fire Sealing Products	for uses subject to regulations on reaction to fire	A1*, A2*, B*, C*	1
		A1**, A2**, B**, C**, D, E	3
		(A1 to E)***, F	4
* Products/materials for which a clearly identifiable stage in the production process results in an improvement of the reaction to fire classification (e.g. an addition of fire retardants or a limiting of organic material)			
** Products/materials not covered by footnote (*)			
*** Products/materials that do not require to be tested for reaction to fire (e.g. products/materials of class A1 according to Commission Decision 96/603/EC, as amended)			

5 **Technical details necessary for the implementation of the AVCP system, as provided for in the applicable EAD**

Technical details necessary for the implementation of the AVCP system are laid down in the control plan deposited with the Technical Assessment Body Österreichisches Institut für Bautechnik.

The notified product certification body shall visit the factory at least twice a year for surveillance of the manufacturer.

Issued in Vienna on 12.02.2020
by Österreichisches Institut für Bautechnik

The original document is signed by:

Rainer Mikulits
Managing Director

⁶ Official Journal of the European Communities no. L 178, 14.7.1999, p. 52

⁷ Official Journal of the European Communities no. L 209, 2.8.2001, p. 33

electronic copy electronic copy electronic copy electronic copy electronic copy electronic copy electronic copy electronic copy electronic copy electronic copy

1 General

- > “Soudafoam FR Duo fire protection system” can be used in apertures in walls (vertical separating element) and floors (horizontal separating element) according to clause 2.1 of the ETA.
- > The penetration of cables, conduits / tubes, metal pipes, plastic pipes and cable support constructions according to clause 2.1 of the ETA is permitted.
- > The total cross section of the installations (including insulation and cable support constructions) must not be more than 60 % of the opening size of the penetration seal.
- > Each cable, conduit / tube, metal pipe and plastic pipe which is to be sealed off has to be protected by the appropriate precaution as described in clause 2 of Annex A-2 to A-6 of the ETA.

1.1 Pipe end configuration

- > For plastic pipes classified with pipe end configuration U/C the pipe end configuration can be U/C and C/C.
- > For plastic pipes classified with pipe end configuration U/U the pipe end configuration can be U/U, C/U, U/C, C/C.
- > For metal pipes classified with pipe end configuration C/U the pipe end configuration can be C/U and C/C.
- > Plastic conduits were tested U/C resp. U/U.
- > Steel conduits / tubes were tested U/C resp. U/U.

1.2 Orientation of the penetrating elements

- > Conduits / tubes, metal pipes and plastic pipes have to be installed perpendicular to the surface of the penetration seal.
- > Metal pipes insulated with prefabricated pipe shells (e.g. “Rockwool 800”) according to clause 1 of the ETA can be installed in all angles between 90° and 45°.

1.3 Service support constructions

- > All types of cables, conduits / tubes, metal pipes and plastic pipes – in flexible walls and rigid walls – have to be supported on both side of the separating element by steel cable trays (perforated or non-perforated), steel ladders or alternative service support constructions (e.g. pipe hangers) made of metal with a melting or decomposition point greater or equal than 902 °C for EI 45, or 945 °C for EI 60, or 1006 °C for EI 90, or 1049 °C for EI 120 (e.g. stainless steel or galvanized steel) according to the ETA-holder’s installation instructions.
- > All types of cables, conduits / tubes, metal pipes and plastic pipes – in rigid floors – have to be supported at least on the top side of the separating element by steel cable trays (perforated or non-perforated), steel ladders or alternative service support constructions (e.g. pipe hangers) made of metal with a melting or decomposition point greater or equal than 842 °C for EI 30, or 945 °C for EI 60, or 1006 °C for EI 90, or 1049 °C for EI 120 (e.g. stainless steel or galvanized steel) according to the ETA-holder’s installation instructions.

Soudafoam FR Duo fire protection system
- Details for installation -

ANNEX A-1

- > Steel cable trays (perforated or non-perforated) or steel ladders can pass through or end at the surface of the penetration seal.
- > Lidded cable trays / trunkings must not pass through the penetration seal.
- > The first support (service support construction) for cables and conduits / tubes in flexible walls, rigid walls and rigid floors has to be at maximum 200 mm (measured from the surface of the penetration seal).
- > The first support (service support construction) for plastic pipes and metal pipes in flexible walls and rigid walls has to be at maximum 750 mm (measured from the surface of the penetration seal).
- > The first support (service support construction) for plastic pipes and metal pipes in rigid floors has to be at maximum 1200 mm (measured from the surface of the penetration seal).
- > All types of cables, conduits / tubes, metal pipes and plastic pipes have to be fixed according to the ETA-holder's installation instructions to the service support construction.
- > Conduit bundles have to be fixed (bound together) on both sides of the penetration seal with at least one winding of e.g. steel wire (minimum diameter 1 mm) at maximum 200 mm (measured from the surface of the penetration seal).

2 Details for installation of "Soudafoam FR Duo fire protection system" (see Annex B-1 to J-1 of the ETA)

- > "Soudafoam FR Duo fire protection system" has to be installed according to the ETA-holder's installation instructions.
- > "Soudafoam FR Duo fire protection system" will be formed by filling "Soudafoam FR Duo" in the opening of the separating element so that all interstices and voids are carefully sealed. Alternatively the remaining space around penetrating elements can be closed with "Soudablock FR".
- > It is possible to use formwork for the installation of "Soudafoam FR Duo fire protection system" in walls and floors. If the formwork consists of cardboard (thickness 3 mm) or adhesive tape, it may remain on the mixed penetration seal / cable penetration seal.
- > For tied cable bundles (see clause 2.1 of the ETA) the space between the cables needs not be filled with "Soudafoam FR Duo".
- > Copper pipes with an outer diameter > 28 mm have to be insulated with prefabricated pipe shells (e.g. "Rockwool 800") according to clause 1 of the ETA or "AF/Armaflex".
- > Steel pipes with an outer diameter > 35 mm have to be insulated with prefabricated pipe shells (e.g. "Rockwool 800") according to clause 1 of the ETA or "AF/Armaflex".
- > Copper pipes with an outer diameter ≤ 28 mm can be insulated with prefabricated pipe shells (e.g. "Rockwool 800") according to clause 1 of the ETA or "AF/Armaflex".
- > Steel pipes with an outer diameter ≤ 35 mm can be insulated with prefabricated pipe shells (e.g. "Rockwool 800") according to clause 1 of the ETA or "AF/Armaflex".

Soudafoam FR Duo fire protection system
- Details for installation -

ANNEX A-2

- > Alternatively the thickness of the wall can be increased to at least 144 mm or 200 mm (mixed penetration seal; depending on the fire resistance classification; see Annex F-1 of the ETA) and 144 mm, 200 mm or 250 mm (cable penetration seal; depending on the fire resistance classification; see Annex J-1 of the ETA) by fitting a board frame, minimum 50 mm wide, around the opening (see Annex B-3 and G-3 of the ETA). Minimum 1 layer of $\geq 12,5$ mm thick type F gypsum boards according to EN 520 (classification A2-s1,d0 according to EN 13501-1) or silicate- or calcium silicate boards (classification A1 according to EN 13501-1) with a minimum density of 450 kg/m^3 can be used. The board frame has to be installed and fixed according to the ETA-holder's installation instructions.
- > Joints between the aperture lining and the aperture have to be filled with "Soudafoam FR Duo", or gypsum joint filler or mineral mortar (non-combustible material with classification A2-s1,d0 or A1 according to EN 13501-1 which is dimensionally stable) on both sides of the penetration seal according to the ETA-holder's installation instructions.

2.3 Details for installation in rigid floors (see Annex C-1 to C-2 and H-1 to H-2 of the ETA)

- > For floors thinner than the minimum thickness of the penetration seal (200 mm; mixed penetration seal) and 200 mm or 250 mm (cable penetration seal; depending on the fire resistance classification; see Annex J-1 of the ETA) the aperture within the floor shall be lined with minimum 2 layers of $\geq 12,5$ mm thick type F gypsum boards according to EN 520 (classification A2-s1,d0 according to EN 13501-1) or silicate- or calcium silicate boards (classification A1 according to EN 13501-1) with a minimum density of 450 kg/m^3 and a minimum thickness of 25 mm. The boards shall be at least 200 mm (mixed penetration seal; see Annex C-2 of the ETA) and 200 mm or 250 mm (cable penetration seal; depending on the fire resistance classification; see Annex H-2 and J-1 of the ETA) wide. The boards have to be installed and fixed according to the ETA-holder's installation instructions.
- > Alternatively the thickness of the floor can be increased to at least 200 mm (mixed penetration seal) and 200 mm or 250 mm (cable penetration seal; depending on the fire resistance classification; see Annex J-1 of the ETA) by fitting a board frame, minimum 50 mm wide, around the opening (see Annex C-2 and H-2 of the ETA). Minimum 1 layer of $\geq 12,5$ mm thick type F gypsum boards according to EN 520 (classification A2-s1,d0 according to EN 13501-1) or silicate- or calcium silicate boards (classification A1 according to EN 13501-1) with a minimum density of 450 kg/m^3 can be used. The board frame has to be installed and fixed according to the ETA-holder's installation instructions.
- > Joints between the aperture lining and the aperture have to be filled with "Soudafoam FR Duo", or gypsum joint filler or mineral mortar (non-combustible material with classification A2-s1,d0 or A1 according to EN 13501-1 which is dimensionally stable) on both sides of the penetration seal according to the ETA-holder's installation instructions.

Soudafoam FR Duo fire protection system
- Details for installation -

ANNEX A-5

electronic copy electronic copy electronic copy electronic copy electronic copy electronic copy electronic copy electronic copy electronic copy electronic copy

3 Minimum working clearances

- > The minimum working clearances (a1, a2, a3; for pipes only linear arrangement is permitted, no clusters) and the minimum clearance between the penetration seals are specified in Annex B-1 to D-2 (mixed penetration seal) and G-1 to H-2 (cable penetration seal) of the ETA.

4 Subsequent addition (retrofitting) and removal

- > Subsequent addition (retrofitting) and removal of cables, conduits / tubes, pipes and cable support constructions according to the ETA holder's installation instructions is permitted.
- > Retrofitting and removal without addition of cables, conduits / tubes, pipes and cable support constructions shall be done according to the ETA holder's installation instructions and the regulations of Annex A-2, clause 2 of the ETA.
- > After removal without addition of cables, conduits / tubes, pipes and cable support constructions the remaining opening (hole) has to be closed with "Soudafoam FR Duo" according to the ETA-holder's installation instructions.

5 Transport and storage

- > The indications of the manufacturer regarding transport and storage (minimum and maximum storing temperature, maximum duration of storage) have to be followed.

6 Use, maintenance and repair

- > The fire resistance of the penetration seal shall not be negatively affected by future changes to buildings or building elements.
- > The assessment of the fitness for use is based on the assumption that necessary maintenance and repair if required is carried out in accordance with the manufacturer's instructions during the assumed intended working life.

Soudafoam FR Duo fire protection system
- Details for installation -

ANNEX A-6

View:

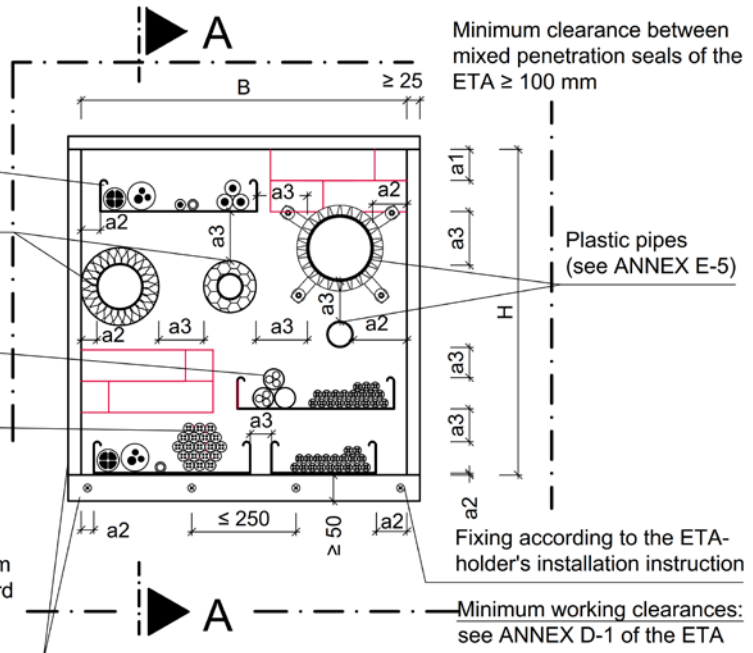
Cable support constructions / cables / steel conduits / plastic conduits / speed•pipe®

Insulated metal pipes (see ANNEX E-1 to E-3 of the ETA)

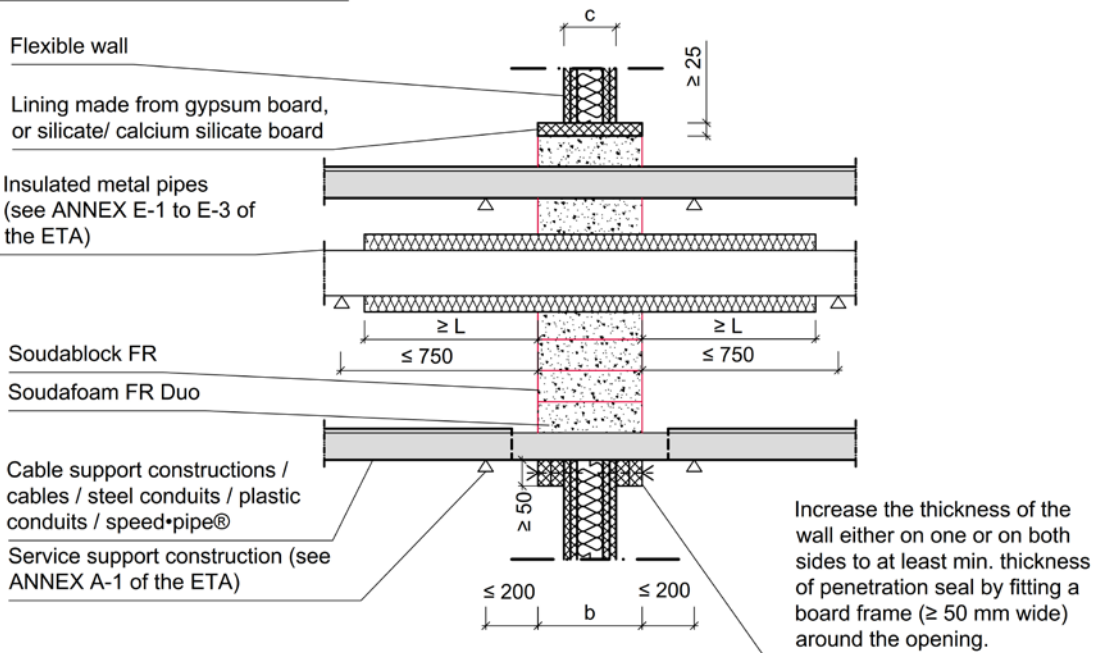
Bundles $\varnothing \leq 100$ mm consisting of plastic conduits ($\varnothing \leq 63$ mm)

Tied cable bundles $\varnothing \leq 100$ mm

Lining (min. two layers of gypsum board of thickness $\geq 12,5$ mm or min. one layer of silicate/calcium silicate board of thickness ≥ 25 mm), alternatively frame made from gypsum board or silicate/ calcium silicate board ≥ 50 mm width around the opening (see ANNEX A-3 of the ETA)



Cross Section A-A:



All dimensions in mm

Separating element	Fire resistance classification	Wall thickness c [mm]	Max. opening size		Thickness of penetration seal (b)
			H [mm]	B [mm]	
Flexible wall	see ANNEX F-1 of the ETA	≥ 94	≤ 500	≤ 450	see ANNEX F-1 of the ETA

Soudafoam FR Duo fire protection system

- mixed penetration seal

- Installation in flexible wall, thickness $c \geq 94$ mm -

ANNEX B-1

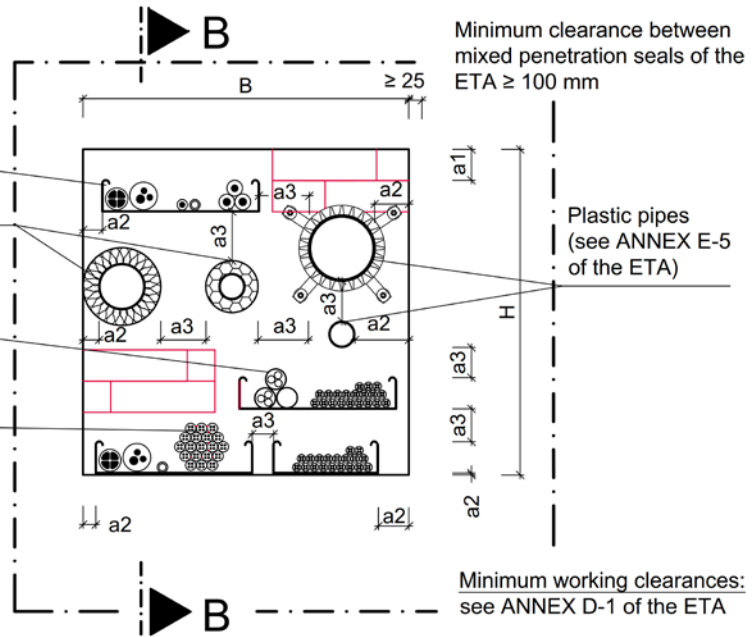
View:

Cable support constructions / cables / steel conduits / plastic conduits / speed-pipe®

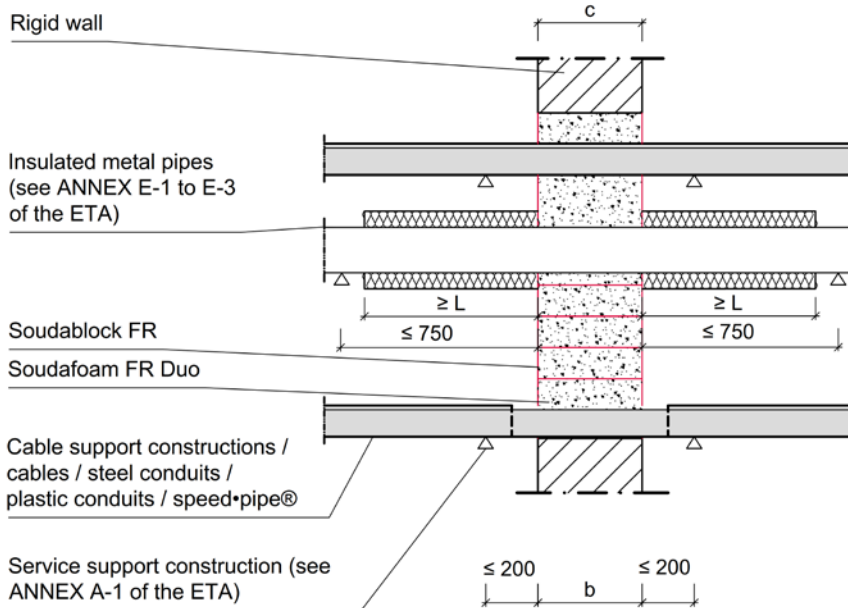
Insulated metal pipes (see ANNEX E-1 to E-3 of the ETA)

Bundles $\varnothing \leq 100$ mm consisting of plastic conduits ($\varnothing \leq 63$ mm)

Tied cable bundles $\varnothing \leq 100$ mm



Cross Section B-B:



All dimensions in mm

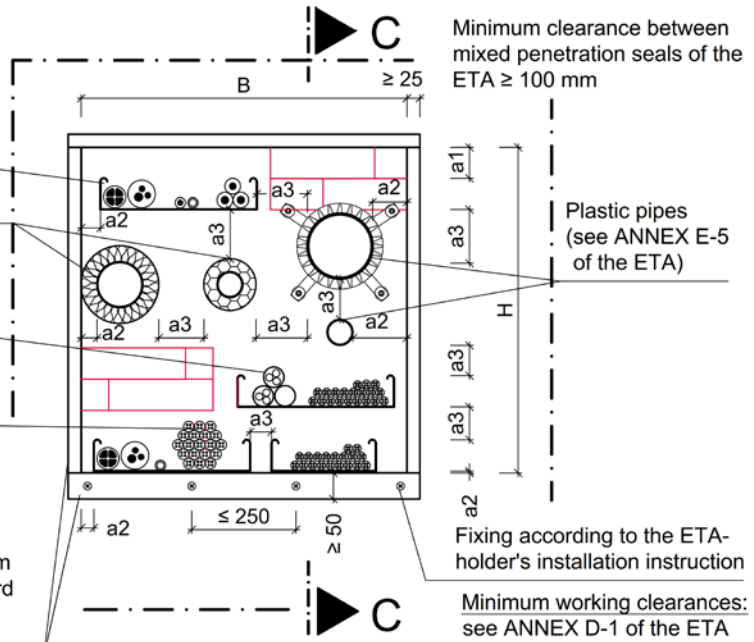
Separating element	Fire resistance classification	Wall thickness c [mm]	Max. opening size		Thickness of penetration seal (b)
			H [mm]	B [mm]	
Rigid wall	see ANNEX F-1 of the ETA	$\geq b$	≤ 500	≤ 450	see ANNEX F-1 of the ETA

Soudafoam FR Duo fire protection system
 - mixed penetration seal
 - Installation in rigid wall, thickness $c \geq b$ -

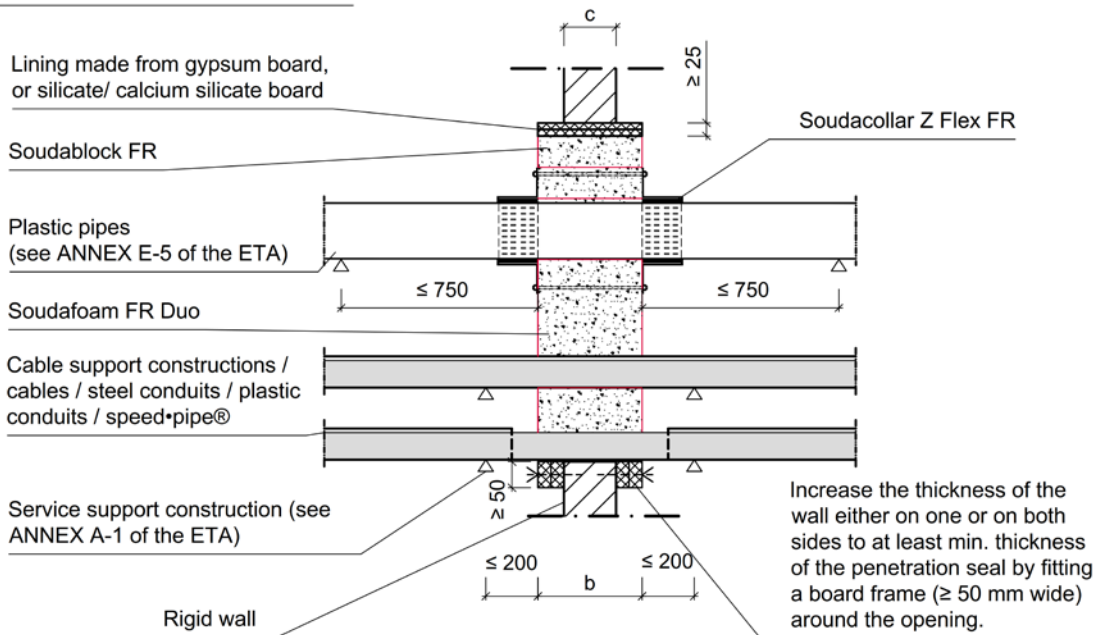
ANNEX B-2

View:

- Cable support constructions / cables / steel conduits / plastic conduits / speed•pipe®
- Insulated metal pipes (see ANNEX E-1 to E-3 of the ETA)
- Bundles $\varnothing \leq 100$ mm consisting of plastic conduits ($\varnothing \leq 63$ mm)
- Tied cable bundles $\varnothing \leq 100$ mm
- Lining (min. two layers of gypsum board of thickness $\geq 12,5$ mm or min. one layer of silicate/calcium silicate board of thickness ≥ 25 mm), alternatively frame made from gypsum board or silicate/ calcium silicate board ≥ 50 mm width around the opening (see ANNEX A-4 of the ETA)



Cross Section C-C:



All dimensions in mm

Separating element	Fire resistance classification	Wall thickness c [mm]	Max. opening size		Thickness of penetration seal (b)
			H [mm]	B [mm]	
Rigid wall	see ANNEX F-1 of the ETA	$100 \leq c < b$	≤ 500	≤ 450	see ANNEX F-1 of the ETA

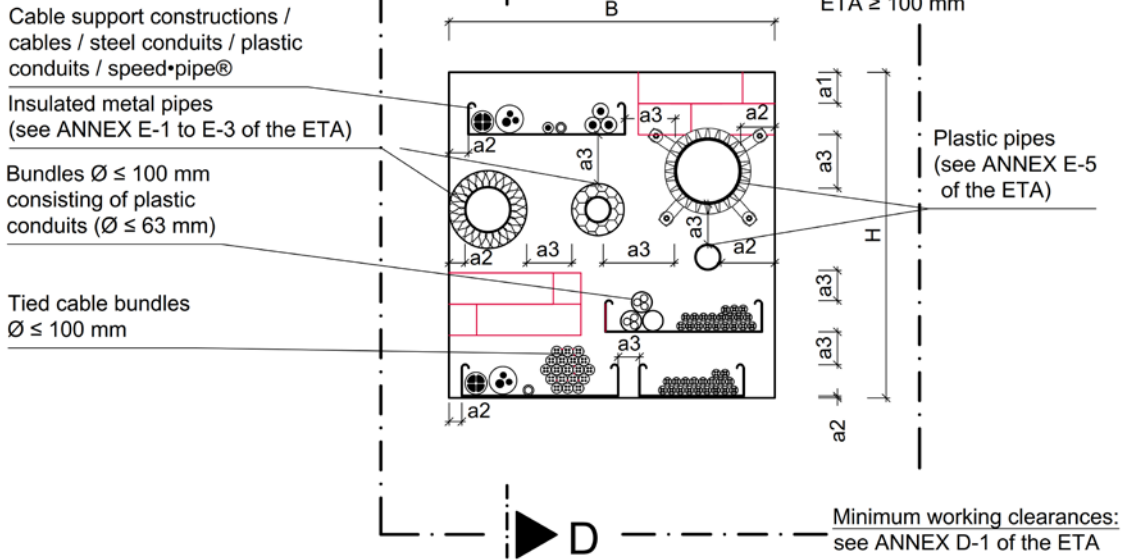
Soudafoam FR Duo fire protection system

- mixed penetration seal

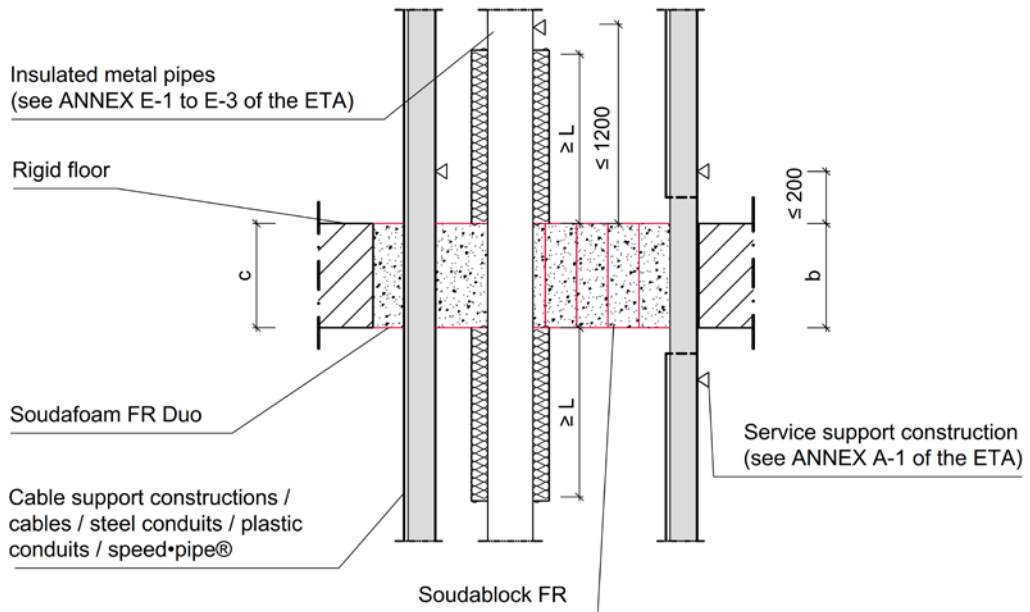
- Installation in rigid wall, thickness $100 \text{ mm} \leq c < b$ -

ANNEX B-3

Top View:



Cross Section D-D:



All dimensions in mm

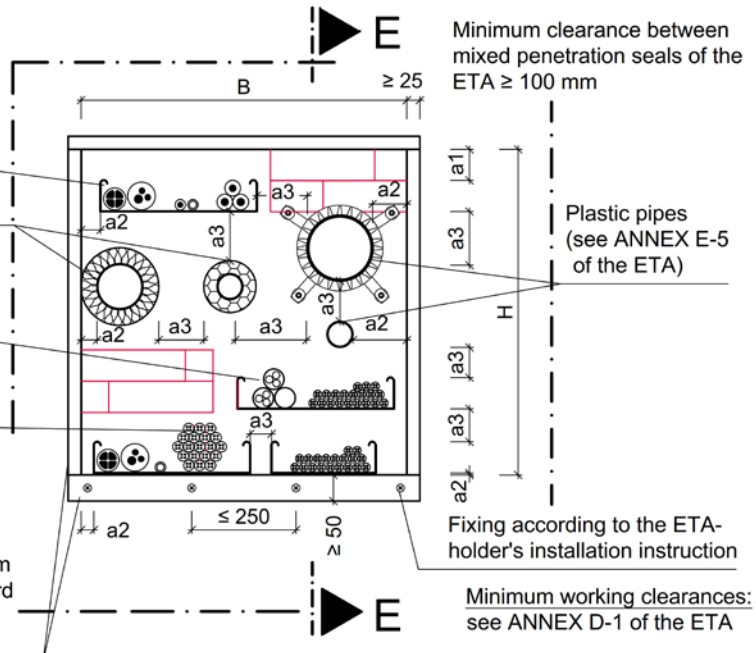
Separating element	Fire resistance classification	Floor thickness c [mm]	Max. opening size		Thickness of penetration seal (b)
			H [mm]	B [mm]	
Rigid Floor	see ANNEX F-1 of the ETA	≥ b (min. 150 mm)	≤ 450	≤ 450	see ANNEX F-1 of the ETA

Soudafoam FR Duo fire protection system
 - mixed penetration seal
 - Installation in rigid floor, thickness $c \geq b$ -

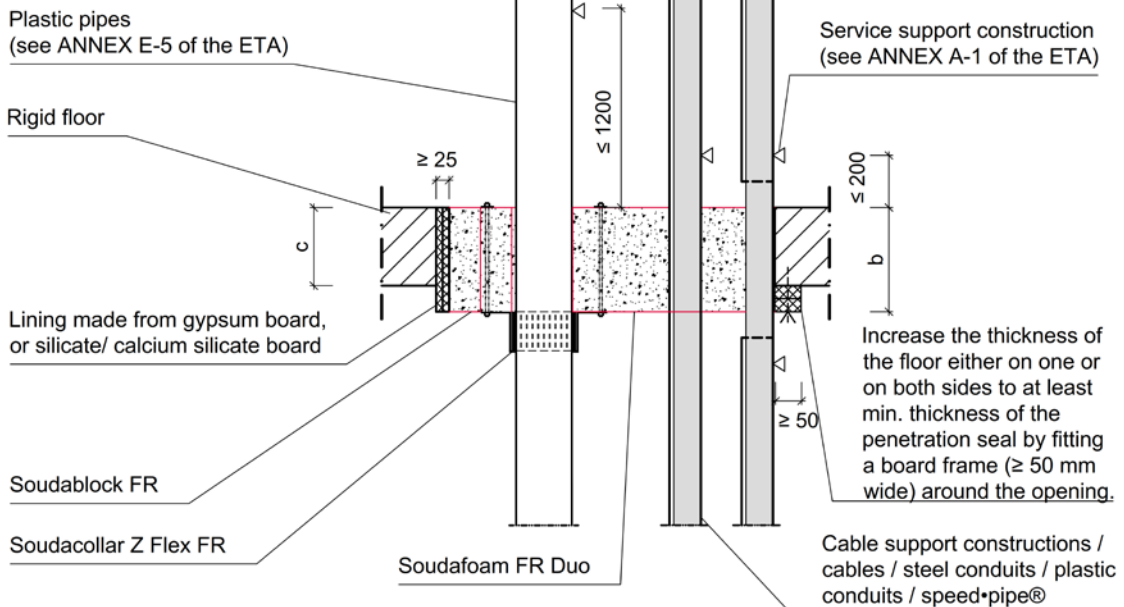
ANNEX C-1

Top View:

- Cable support constructions / cables / steel conduits / plastic conduits / speed•pipe®
- Insulated metal pipes (see ANNEX E-1 to E-3 of the ETA)
- Bundles $\varnothing \leq 100$ mm consisting of plastic conduits ($\varnothing \leq 63$ mm)
- Tied cable bundles $\varnothing \leq 100$ mm
- Lining (min. two layers of gypsum board of thickness $\geq 12,5$ mm or min. one layer of silicate/calcium silicate board of thickness ≥ 25 mm), alternatively frame made from gypsum board or silicate/ calcium silicate board ≥ 50 mm width around the opening (see clause ANNEX A-5 of the ETA)



Cross Section E-E:



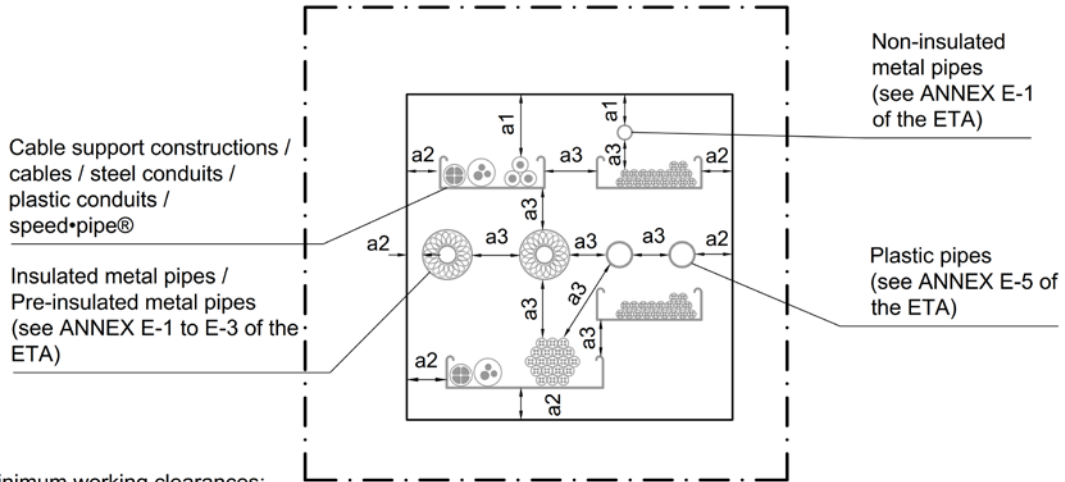
All dimensions in mm

Separating element	Fire resistance classification	Floor thickness c [mm]	Max. opening size		Thickness of penetration seal (b)
			H [mm]	B [mm]	
Rigid Floor	see ANNEX F-1 of the ETA	$150 \leq c < b$	≤ 450	≤ 450	see ANNEX F-1 of the ETA

Soudafoam FR Duo fire protection system
 - mixed penetration seal
 - Installation in rigid floor, thickness $150 \text{ mm} \leq c < b$ -

ANNEX C-2

View:



Minimum working clearances:

- a1: Penetrating element / top edge of penetration seal
- a2: Penetrating element / side or lower edge of penetration seal
- a3: Penetrating element / Penetrating element

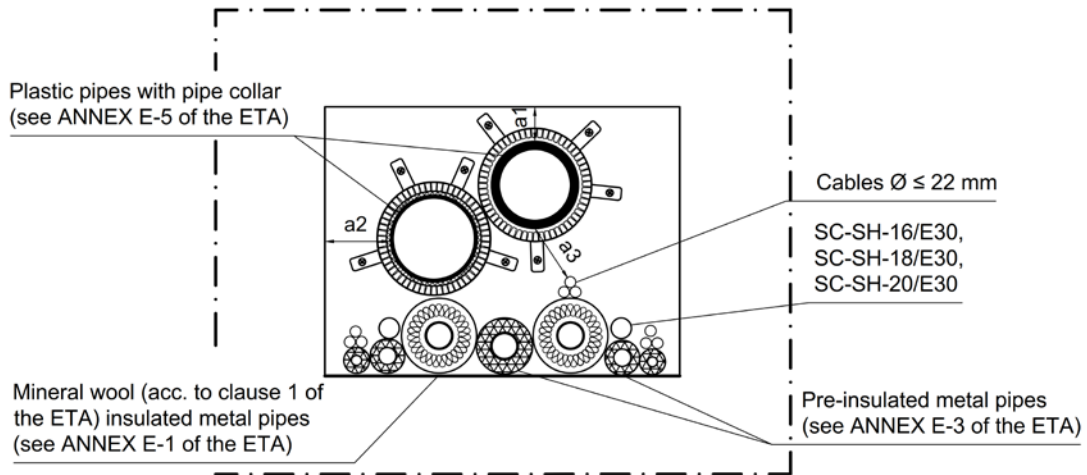
Minimum working clearances			
Penetrating element	a1	a2	a3
Cables/ Cable trays/ Conduits (incl. speed•pipe®)	50 mm (speed•pipe® = 0 mm)	0 mm	<ul style="list-style-type: none"> • Cables/ Cable trays/ Conduits 0 mm • Cable trays (vertical) 50 mm • Non-insulated metal pipes 60 mm • Other penetrating elements 50 mm
Mineral wool (see clause 1 of the ETA) insulated metal pipes	0 mm	0 mm	<ul style="list-style-type: none"> • Mineral wool insulated metal pipes 0 mm • Plastic pipes with pipe collar 0 mm • Non-insulated metal pipes 60 mm • Other penetrating elements 50 mm
AF/Armaflex insulated metal pipes	35 mm	35 mm	<ul style="list-style-type: none"> • AF/Armaflex (thickness > 9 mm) insulated metal pipes 35 mm • AF/Armaflex (thickness 9 mm) insulated metal pipes 50 mm • Non-insulated metal pipes 60 mm • Other penetrating elements 50 mm
Non-insulated metal pipes	35 mm	35 mm	<ul style="list-style-type: none"> • Non-insulated metal pipes 60 mm • Other penetrating elements 60 mm
Pre-insulated metal pipes	0 mm	0 mm	<ul style="list-style-type: none"> • Pre-insulated metal pipes 0 mm • Non-insulated metal pipes 60 mm • Other penetrating elements 50 mm
Plastic pipes (without pipe collar)	50 mm	50 mm	<ul style="list-style-type: none"> • Plastic pipes (without pipe collar) 50 mm • Non-insulated metal pipes 60 mm • Other penetrating elements 50 mm
Plastic pipes (with pipe collar)	50 mm*	0 mm*	<ul style="list-style-type: none"> • Plastic pipes (with pipe collar) 0 mm • Mineral wool insulated metal pipes 0 mm • Non-insulated metal pipes 60 mm • Other penetrating elements 50 mm

*Measured from the surface of the pipe

Soudafoam FR Duo fire protection system
- mixed penetration seal
- Minimum working clearances -

ANNEX D-1

View: Penetrating elements in a distance of 0 mm



Min. working clearances:

- a1: Penetrating element / top edge of penetration seal
- a2: Penetrating element / side or lower edge of penetration seal
- a3: Penetrating element / Penetrating element

Minimum working clearances			
Penetrating element	a1	a2	a3
Cables $\varnothing \leq 22$ mm	50 mm	0 mm	<ul style="list-style-type: none"> • Cables $\varnothing \leq 22$ mm • Mineral wool insulated metal pipes • Pre-insulated metal pipes • Plastic pipes with pipe collar • SC-SH-16/E30, SC-SH-18/E30, SC-SH-20/E30 • Other penetrating elements
Mineral wool (see clause 1 of the ETA) insulated metal pipes	0 mm	0 mm	<ul style="list-style-type: none"> • Cables $\varnothing \leq 22$ mm • Mineral wool insulated metal pipes • Pre-insulated metal pipes • Plastic pipes with pipe collar • SC-SH-16/E30, SC-SH-18/E30, SC-SH-20/E30 • Other penetrating elements
SC-SH-16/E30, SC-SH-18/E30, SC-SH-20/E30 (Drain hose)	50 mm	0 mm	<ul style="list-style-type: none"> • Cables $\varnothing \leq 22$ mm • Mineral wool insulated metal pipes • Pre-insulated metal pipes • Plastic pipes with pipe collar • SC-SH-16/E30, SC-SH-18/E30, SC-SH-20/E30 • Other penetrating elements
Pre-insulated metal pipes	0 mm	0 mm	<ul style="list-style-type: none"> • Cables $\varnothing \leq 22$ mm • Mineral wool insulated metal pipes • Pre-insulated metal pipes • Plastic pipes with pipe collar • SC-SH-16/E30, SC-SH-18/E30, SC-SH-20/E30 • Other penetrating elements
Plastic pipes (with pipe collar)	50 mm*	0 mm*	<ul style="list-style-type: none"> • Cables $\varnothing \leq 22$ mm • Mineral wool insulated metal pipes • Pre-insulated metal pipes • Plastic pipes with pipe collar • SC-SH-16/E30, SC-SH-18/E30, SC-SH-20/E30 • Other penetrating elements

*Measured from the surface of the pipe

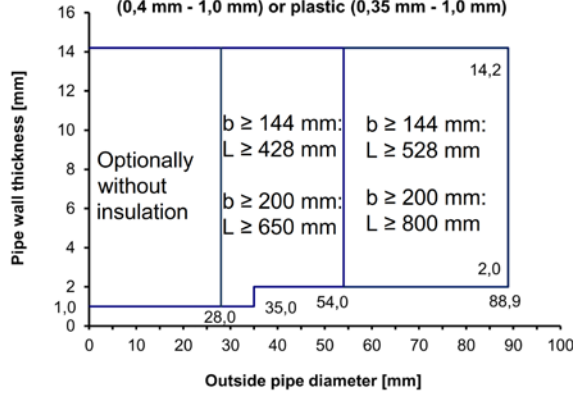
Soudafoam FR Duo fire protection system
 - mixed penetration seal
 - Minimum working clearances -

ANNEX D-2

Field of application of metal pipes

Mineral wool (acc. to clause 1 of the ETA) insulated metal pipes
 acc. to clause 2.1 of the ETA (C/U) and (C/C)

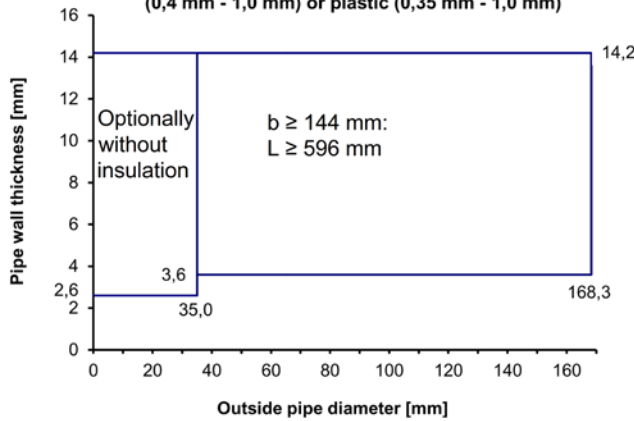
Metal pipes made of copper, steel, stainless steel, cast iron insulated
 with mineral wool, insulation optional sustained (LS, CS) or interrupted
 (LI, CI), optional clad with sheet steel
 (0,4 mm - 1,0 mm) or plastic (0,35 mm - 1,0 mm)



L measured from the surface of the penetration seal (see ANNEX B-1 to C-2 of the ETA).

Case	Density of mineral wool	Thickness of mineral wool
LI (local-interrupted)	≥ 90 kg/m ³	30 mm
LS (local-sustained)		30 mm
CI (continued-interrupted)		≥ 30 mm
CS (continued-sustained)		≥ 30 mm

Metal pipes made of steel, stainless steel, cast iron insulated with
 mineral wool, insulation optional sustained (LS, CS)
 or interrupted (LI, CI), optional clad with sheet steel
 (0,4 mm - 1,0 mm) or plastic (0,35 mm - 1,0 mm)



L measured from the surface of the penetration seal (see ANNEX B-1 to C-2 of the ETA).

Case	Density of mineral wool	Thickness of mineral wool
LI (local-interrupted)	≥ 90 kg/m ³	50 mm
LS (local-sustained)		50 mm
CI (continued-interrupted)		≥ 50 mm
CS (continued-sustained)		≥ 50 mm

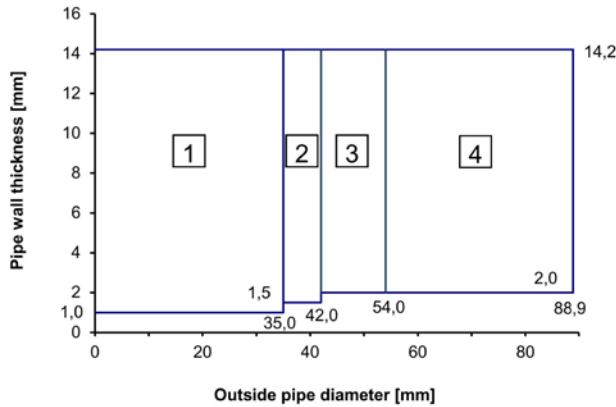
Interpolation between pipe diameters and wall thicknesses for metal pipes according to clause 2.1 of the ETA in flexible walls, rigid walls and rigid floors - mixed penetration seal

ANNEX E-1

Field of application of metal pipes

AF/Armaflex insulated metal pipes (C/U) and (C/C)

Metal pipes made of copper, steel, stainless steel, cast iron insulated with AF/Armaflex, insulation sustained (LS or CS), minimum length 500 mm on both sides of mixed penetration seal



- 1 Insulation thickness 9,0 mm to 35,0 mm, $L \geq 500$ mm
- 2 Insulation thickness 9,0 mm to 36,5 mm, $L \geq 500$ mm
- 3 Insulation thickness 9,0 mm to 38,0 mm, $L \geq 500$ mm
- 4 Insulation thickness 41,5 mm, $L \geq 500$ mm

L measured from the surface of the penetration seal (see ANNEX B-1 to C-2 of the ETA).

Interpolation between pipe diameters and wall thicknesses for metal pipes according to clause 2.1 of the ETA in flexible walls, rigid walls and rigid floors - mixed penetration seal

ANNEX E-2

Field of application of metal pipes

Pre-insulated (CS) metal pipes used for air conditioning, heating and sanitary systems (C/U) and (C/C)

Penetrating element*	Outer diameter of the pipe (mm)	Pipe wall thickness (mm)	Insulation type	Insulation thickness (mm)	Additional precaution: Soudawrap Z Ins FR
WICU® Eco	12,0	1,0	PUR	11,0	one layer on both sides of the penetration seal (length** ≥ 150 mm, nominal thickness 3 mm)
	15,0	1,0		11,5	
	18,0	1,0		12,0	
	22,0	1,0		12,5	
	28,0	1,5		17,5	
	35,0	1,5		18,0	
	42,0	1,5		24,0	
	54,0	2,0		27,5	
WICU® Flex	12,0	1,0	PE	6	wall: one layer on both sides of the penetration seal (length** ≥ 150 mm, nominal thickness 3 mm) floor: one layer on the top side of the penetration seal (length** ≥ 150 mm, nominal thickness 3 mm)
	15,0	1,0		6	
	18,0	1,0		6	
	22,0	1,0		6	
WICU® Frio	6,0	1,0	PE	8	
	10,0	1,0		10	
	12,0	1,0		10	
	14,0	1,0		10	
	15,0	1,0		10	
	16,0	1,0		10	
	18,0	1,0		10	
	22,0	1,0		10	
WICU® Clim	6,35	0,762	PE	6	
	9,52	0,813		8	
	12,70	0,813		10	
	15,87	0,889		10	
	19,05	0,889		10	
	22,22	0,889		10	
Tubolit® Split / Tubolit® DuoSplit	6,35	0,8	PE	9	no additional precaution
	9,52	0,8		9	
	12,70	0,8		9	
	15,88	1,0		9	
	19,05	1,0		9	
	22,22	1,0		9	

* copper pipes

** measured from the surface of the penetration seal

Pipe diameters and wall thicknesses for pre-insulated metal pipes according to clause 2.1 of the ETA in flexible walls, rigid walls and rigid floors - mixed penetration seal

ANNEX E-3

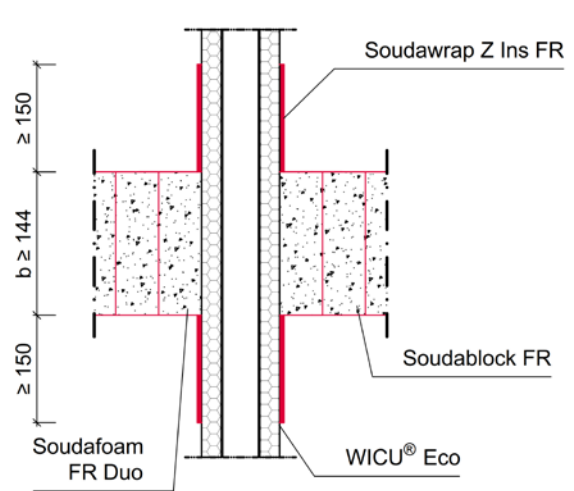
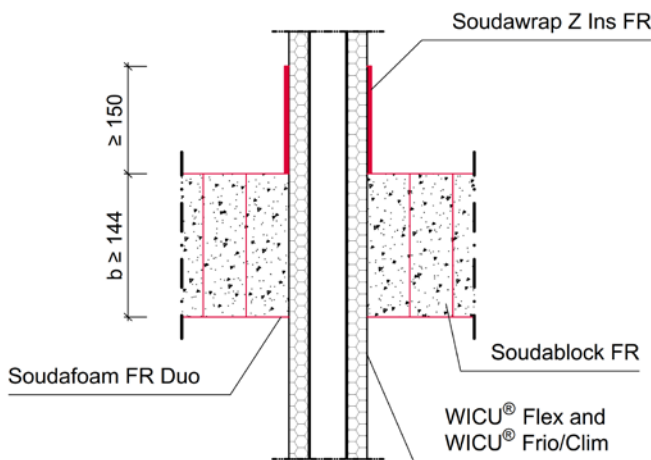
Arrangement of Soudawrap Z Ins FR for pre-insulated (CS) metal pipes used for air conditioning, heating and sanitary systems (C/U) and (C/C) (see ANNEX F-1 of the ETA):

Additional precaution for WICU[®] Flex and WICU[®] Frio/Clim

Additional precaution for WICU[®] Eco

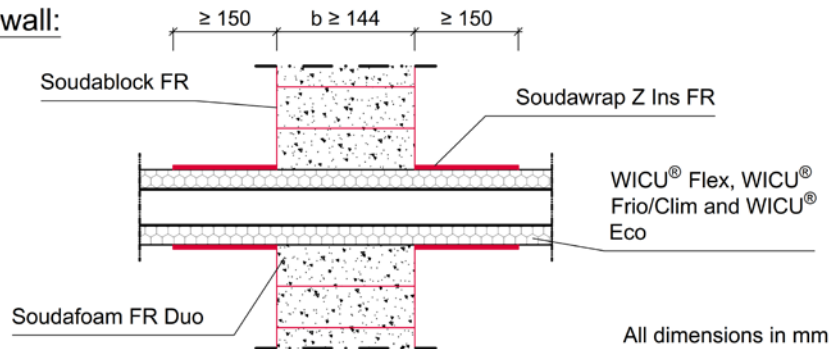
Installation in floor:

Installation in floor:



Additional precaution for WICU[®] Flex, WICU[®] Frio/Clim and WICU[®] Eco

Installation in wall:



The pre-insulated metal pipes have to be wrapped with strips of Soudawrap Z Ins FR of at least 150 mm width. The glass fabric reinforcement fixed to one side of the wrap has to be on the outside. The ends of the wrap have to be fixed with two steel clips or steel wire according to the ETA-holder's installation instruction. Strips have to overlap each other at least 45 mm. Two pre-insulated metal pipes of type WICU[®] Flex and WICU[®] Frio/Clim in a distance of 0 mm can be wrapped with one concerted Soudawrap Z Ins FR.

Soudafoam FR Duo fire protection system

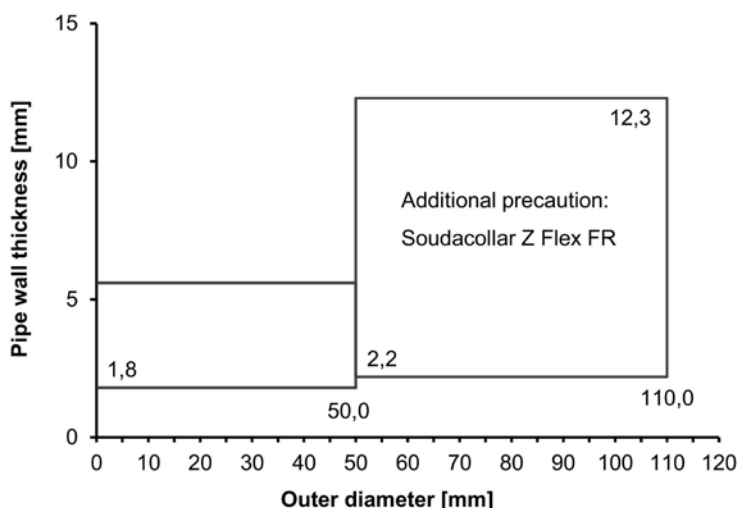
- mixed penetration seal

- Arrangement of "Soudawrap Z Ins FR" for pre-insulated metal pipes -

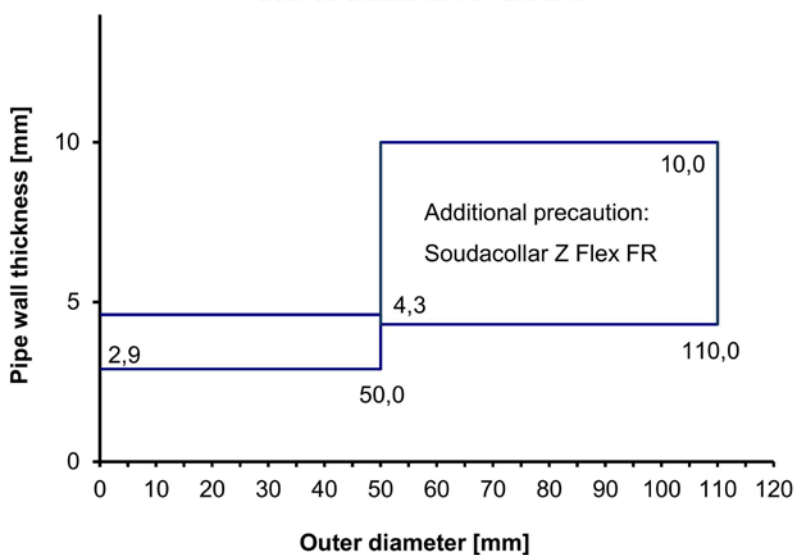
ANNEX E-4

Field of application of plastic pipes (U/U), (C/U), (U/C) and (C/C):

**Plastic pipes made of PVC-U
 acc. to clause 2.1 of the ETA**



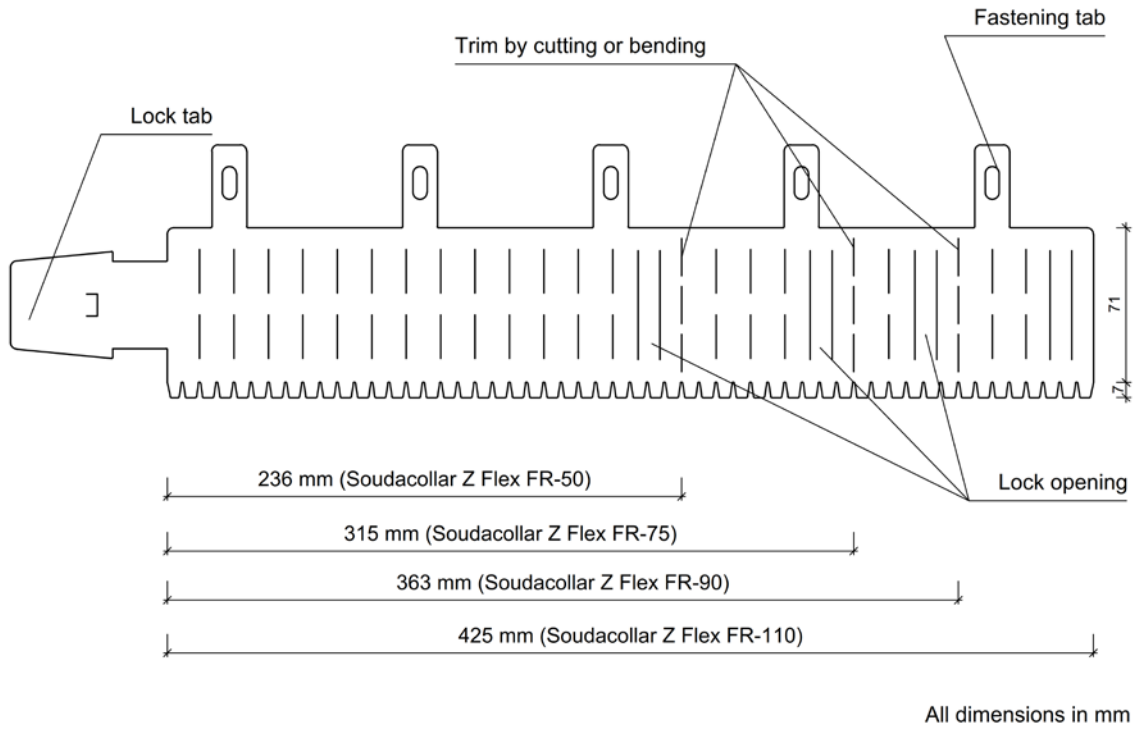
**Plastic pipes made of PE-HD
 acc. to clause 2.1 of the ETA**



Interpolation between pipe diameters and wall thicknesses for plastic pipes according to clause 2.1 of the ETA in flexible walls, rigid walls and rigid floors - mixed penetration seal

ANNEX E-5

Material: stainless steel (1.4301) acc. to EN 10088
 Sheet thickness: 0,6 mm +/- 0,1 mm

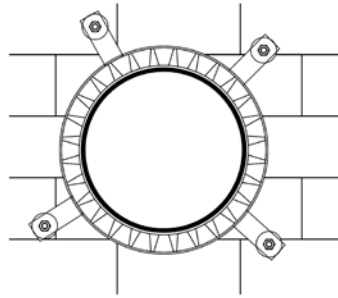


Pipe outer diameter (mm)	Size of Soudacollar Z Flex FR	Thickness of intumescent inlay (mm)	Width of intumescent inlay (mm)	Minimum number of fixing lugs to be fastened (pcs)
50	Soudacollar Z Flex FR-50	7	70	3
75	Soudacollar Z Flex FR-75	7	70	3
90	Soudacollar Z Flex FR-90	7	70	3
110	Soudacollar Z Flex FR-110	7	70	4

Description of “Soudacollar Z Flex FR”
- mixed penetration seal -

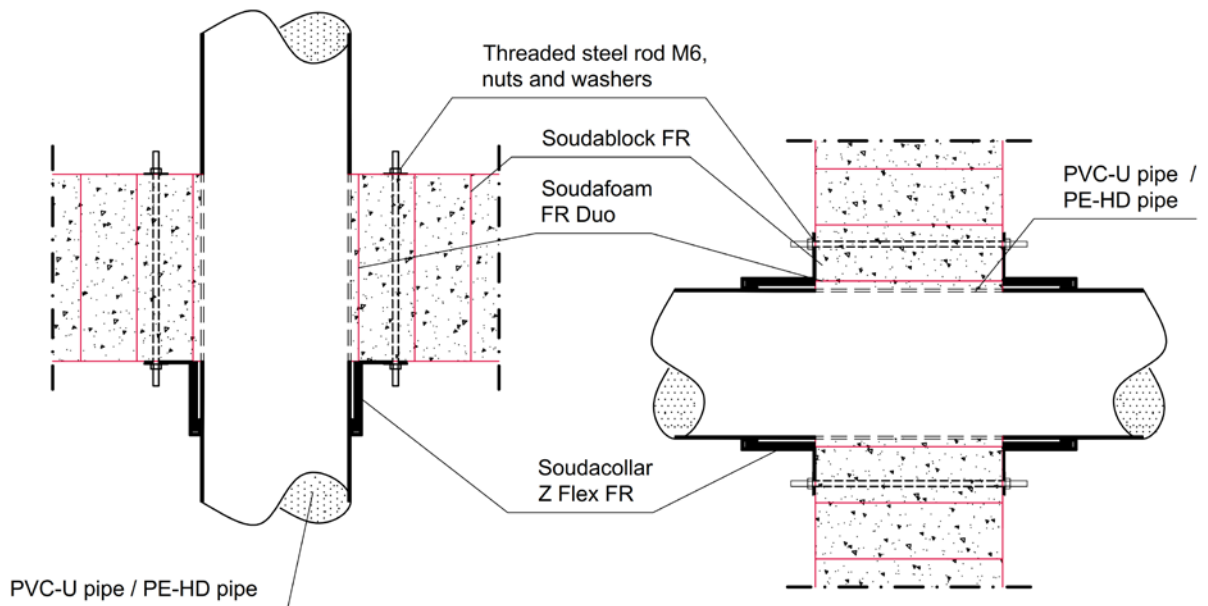
ANNEX E-6

Installation of Soudacollar Z Flex FR for plastic pipes acc. to clause 2.1 of the ETA with a diameter of > 50 mm (see ANNEX F-1 of the ETA):



Installation in floor:

Installation in wall:



All dimensions in mm

The threaded steel rods (thread size M6; length \geq thickness of the penetration seal) can be pushed through Soudafoam FR Duo / Soudablock FR and have to be fixed on both sides of the penetration seal with washers and nuts (corresponding to the outer diameter of the threaded steel rods).

Soudafoam FR Duo fire protection system

- mixed penetration seal - Installation of "Soudacollar Z Flex FR" for plastic pipes with a diameter > 50 mm -

ANNEX E-7

Fire resistance classification of mixed penetration seals:

Installation in flexible walls of at least 94 mm thickness and rigid walls of at least 100 mm thickness (max. opening size of 450 mm x 500 mm)
or rigid floors of at least 150 mm thickness (max. opening size of 450 mm x 450 mm)

Penetrating element		Min. thickness of Mixed penetration seal	
		b ≥ 144 mm	b ≥ 200 mm
Cables	Sheathed electrical/ telecommunication /optical fibre cables up to a maximum outer diameter of 80 mm	wall: E 120 / EI 60 floor: E 60 / EI 60	wall and floor: E 120 / EI 90
	Tied bundles up to 100 mm overall diameter containing sheathed electrical/ telecommunication /optical fibre cables up to a max. outer diameter of 21 mm	wall: E 120 / EI 60 floor: E 60 / EI 60	wall and floor: E 120 / EI 90
	Non-sheathed cables up to a maximum outer diameter of 24 mm	wall: E 120 / EI 45 floor: E 60 / EI 30	wall and floor: E 120 / EI 60
Conduits / tubes	Steel conduits/ tubes up to Ø 16 mm with/ without cables	wall: E 120-U/C / EI 60-U/C floor: E 60-U/C / EI 60-U/C	wall and floor: E 120-U/U / EI 90-U/U
	Plastic conduits up to Ø 16 mm with/ without cables	wall: E 120-U/C / EI 90-U/C floor: E 60-U/C / EI 60-U/C	wall and floor: E 120-U/U / EI 120-U/U
	Plastic conduits up to Ø 40 mm and bundles up to Ø 80 mm consisting of plastic conduits (Ø ≤ 40 mm) with/ without cables	wall: E 120-U/C / EI 90-U/C floor: E 60-U/C / EI 60-U/C	wall: E 120-U/C / EI 120-U/C floor: E 120-U/U / EI 120-U/U
	Plastic conduits up to Ø 63 mm and bundles up to Ø 100 mm consisting of plastic conduits (Ø ≤ 63 mm) with/ without cables	wall: E 120-U/C / EI 120-U/C floor: E 60-U/C / EI 60-U/C	wall: E 120-U/C / EI 120-U/C floor: E 90-U/C / EI 90-U/C
	speed-pipe® up to Ø 12 mm and bundles up to Ø 80 mm consisting of speed-pipe® (Ø ≤ 12 mm) with/ without optical fibre cables	wall: E 120-U/C / EI 120-U/C floor: E 60-U/C / EI 60-U/C	wall: E 120-U/C / EI 120-U/C floor: E 90-U/C / EI 90-U/C
Non-insulated metal pipes	Copper pipes up to a max. outer diameter of 28 mm*	wall: E 120-C/U / EI 60-C/U floor: E 60-C/U / EI 60-C/U	wall and floor: E 120-C/U / EI 90-C/U
	Steel pipes up to a max. outer diameter of 35 mm*	wall: E 120-C/U / EI 90-C/U floor: E 60-C/U / EI 60-C/U	wall: E 120-C/U / EI 90-C/U floor: E 90-C/U / EI 90-C/U
Pre-insulated metal pipes	WICU® Frio pipes up to a max. outer diameter of 22 mm*	wall: E 120-C/U ¹⁾ / EI 90-C/U ¹⁾ floor: E 60-C/U ¹⁾ / EI 60-C/U ¹⁾	wall and floor: E 120-C/U ¹⁾ / EI 90-C/U ¹⁾
	WICU® Clim pipes up to a max. outer diameter of 22,22 mm*	wall: E 120-C/U ¹⁾ / EI 90-C/U ¹⁾ floor: E 60-C/U ¹⁾ / EI 60-C/U ¹⁾	wall and floor: E 120-C/U ¹⁾ / EI 90-C/U ¹⁾
	WICU® Flex pipes up to a max. outer diameter of 22 mm*	wall: E 120-C/U ¹⁾ / EI 90-C/U ¹⁾ floor: E 60-C/U ¹⁾ / EI 60-C/U ¹⁾	wall and floor: E 120-C/U ¹⁾ / EI 90-C/U ¹⁾
	WICU® Eco pipes up to a max. outer diameter of 35 mm*	wall: E 120-C/U ²⁾ / EI 60-C/U ²⁾ floor: E 60-C/U ²⁾ / EI 60-C/U ²⁾	wall: E 120-C/U ²⁾ / EI 60-C/U ²⁾ floor: E 90-C/U ²⁾ / EI 90-C/U ²⁾
	Tubolit® Split / Duosplit pipes up to a max. outer diameter of 12,7 mm*	wall: E 120-C/U / EI 60-C/U floor: E 60-C/U / EI 60-C/U	wall and floor: E 120-C/U / EI 120-C/U
Tubolit® Split / Duosplit pipes up to a max. outer diameter of 22,22 mm*	wall: E 120-C/U / EI 60-C/U floor: E 60-C/U / EI 60-C/U	wall and floor: E 120-C/U / EI 90-C/U	
Insulated metal pipes	Mineral wool insulated metal pipes up to a max. outer diameter of 54 mm*	wall: E 120-C/U / EI 90-C/U floor: E 60-C/U / EI 60-C/U	wall and floor: E 120-C/U / EI 90-C/U
	Mineral wool insulated metal pipes up to a max. outer diameter of 88,9 mm*	wall: E 120-C/U / EI 90-C/U floor: E 60-C/U / EI 60-C/U	wall: E 120-C/U / EI 90-C/U floor: E 120-C/U / EI 120-C/U
	Mineral wool insulated steel pipes up to a max. outer diameter of 168,3 mm*	wall: E 120-C/U / EI 120-C/U floor: E 60-C/U / EI 60-C/U	wall: E 120-C/U / EI 120-C/U floor: E 90-C/U / EI 90-C/U
	AF/Armaflex (thickness 9 mm) insulated metal pipes up to a max. outer diameter of 54 mm*	wall: E 120-C/U / EI 90-C/U floor: E 60-C/U / EI 60-C/U	wall and floor: E 120-C/U / EI 90-C/U
	AF/Armaflex (thickness > 9 mm) insulated metal pipes up to a max. outer diameter of 88,9 mm*	wall: E 120-C/U / EI 90-C/U floor: E 60-C/U / EI 60-C/U	wall and floor: E 120-C/U / EI 120-C/U
Plastic pipes / - tubes	SC-SH-16/E30, SC-SH-18/E30 and SC-SH-20/E30 (drain hose) up to a max. outer diameter of 28 mm	wall: E 120-U/U / EI 60-U/U floor: E 60-U/U / EI 60-U/U	wall: E 120-U/U / EI 60-U/U floor: E 90-U/U / EI 90-U/U
	Plastic pipes up to a max. outer diameter of 50 mm*	wall: E 120-U/C / EI 120-U/C floor: E 60-U/C / EI 60-U/C	wall and floor: E 120-U/U / EI 120-U/U
	Plastic pipes up to a max. outer diameter of 110 mm*	wall: E 120-U/U ³⁾ / EI 120-U/U ³⁾ floor: E 60-U/U ³⁾ / EI 60-U/U ³⁾	wall: E 120-U/U ³⁾ / EI 120-U/U ³⁾ floor: E 90-U/U ³⁾ / EI 90-U/U ³⁾

*) For permitted pipe wall thickness and insulation see ANNEX E-1 to E-3 and E-5 of the ETA

- 1) Soudawrap Z Ins FR has to be applied on both surfaces of wall or top surface of floor (For details see ANNEX E-4 of the ETA)
- 2) Soudawrap Z Ins FR has to be applied on both surfaces of wall or floor (For details see ANNEX E-4 of the ETA)
- 3) Soudacollar Z Flex FR has to be applied on both surfaces of wall or bottom surface of floor (For details see ANNEX E-7 of the ETA)

Soudafoam FR Duo fire protection system

- mixed penetration seal
- Fire resistance classification -

ANNEX F-1

View:

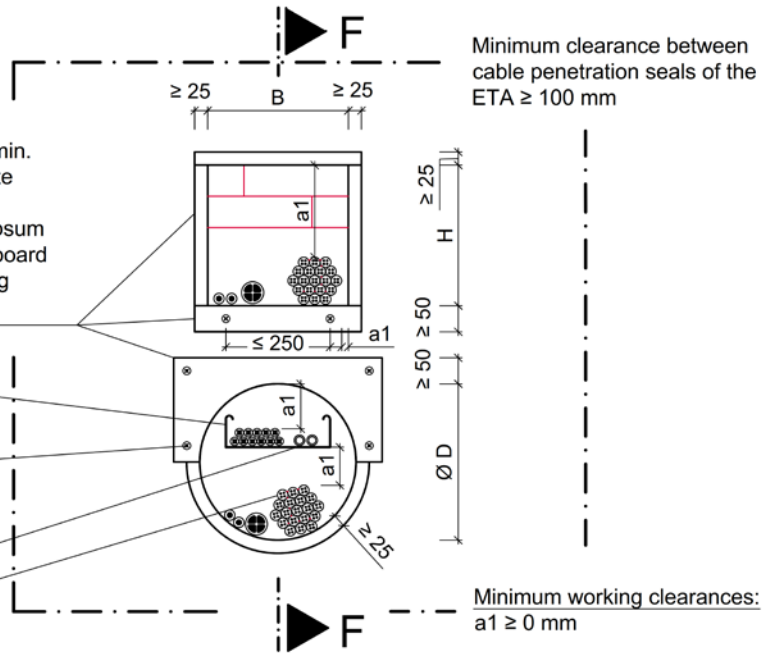
Lining (min. two layers of gypsum board of thickness $\geq 12,5$ mm or min. one layer of silicate/calcium silicate board of thickness ≥ 25 mm), alternatively frame made from gypsum board or silicate/ calcium silicate board ≥ 50 mm width around the opening (see ANNEX A-3 of the ETA)

Cable support constructions / cables

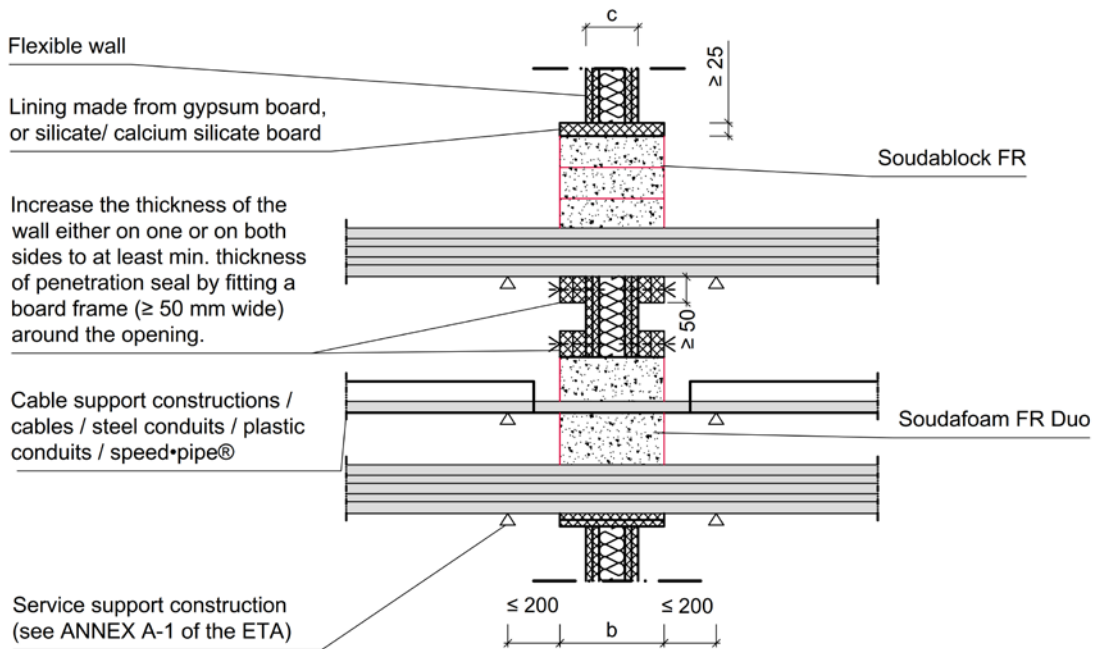
Fixing according to the ETA-holder's installation instruction

Steel conduits/ tubes, plastic conduits/ tubes, speed•pipe®

Tied cable bundles $\varnothing \leq 100$ mm



Cross Section F-F:



All dimensions in mm

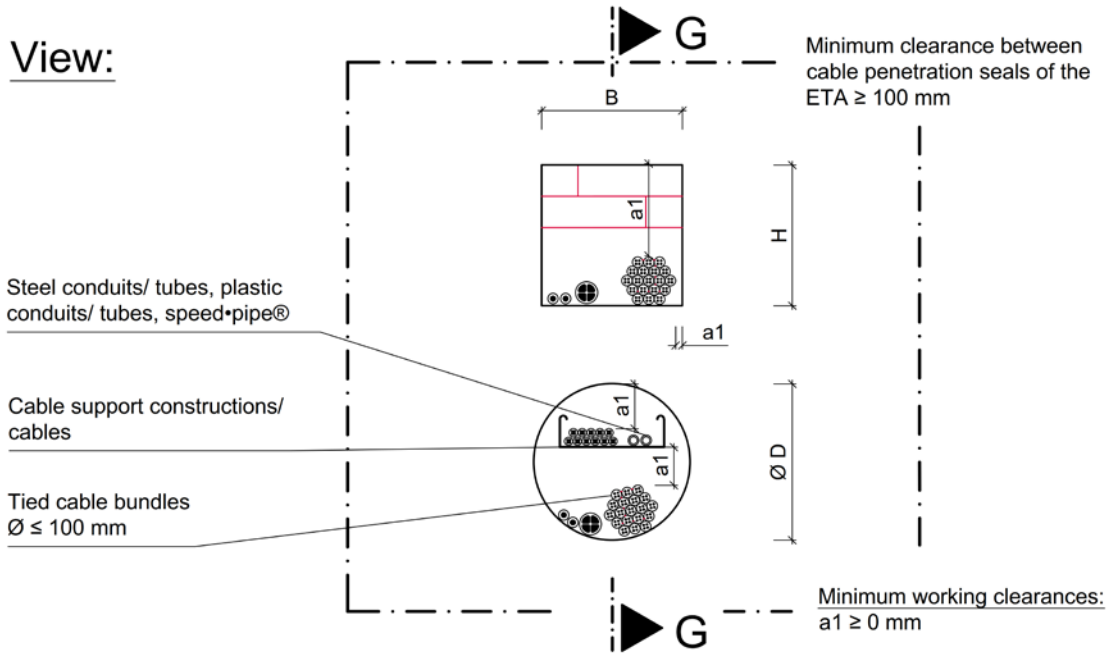
Separating element	Fire resistance classification	Wall thickness c [mm]	Max. opening size H [mm] x B [mm] / Ø D [mm]	Thickness of penetration seal (b)
Flexible wall	see ANNEX J-1 of the ETA	≥ 94	$\leq 270 \times 270 / \varnothing \leq 300$	see ANNEX J-1 of the ETA

Soudafoam FR Duo fire protection system

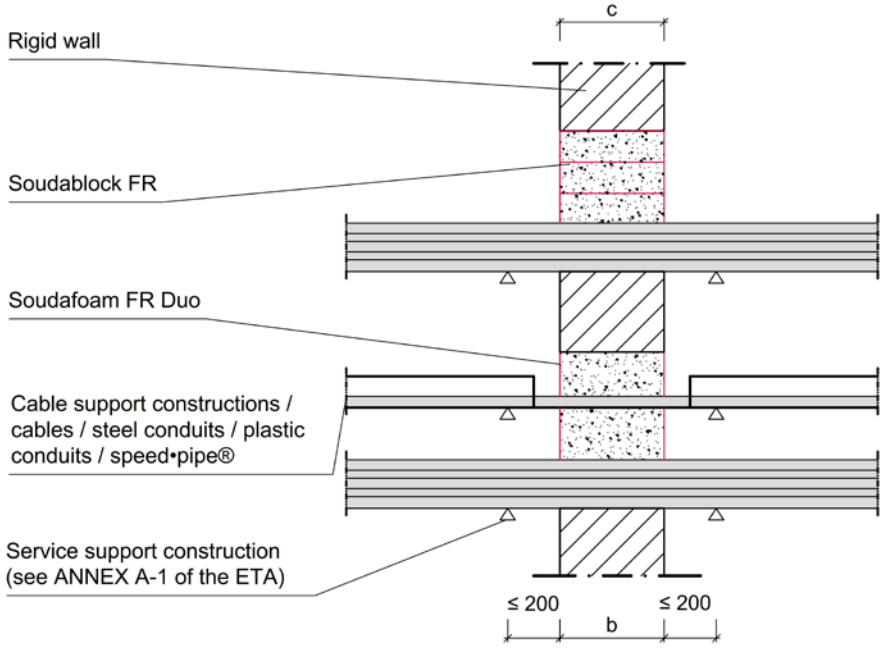
- cable penetration seal

- Installation in flexible wall, thickness c ≥ 94 mm -

ANNEX G-1



Cross Section G-G:



All dimensions in mm

Separating element	Fire resistance classification	Wall thickness c [mm]	Max. opening size H [mm] x B [mm] / Ø D [mm]	Thickness of penetration seal (b)
Rigid wall	see ANNEX J-1 of the ETA	$\geq b$	$\leq 270 \times 270 / \varnothing \leq 300$	see ANNEX J-1 of the ETA

Soudafoam FR Duo fire protection system
 - cable penetration seal
 - Installation in rigid wall, thickness $c \geq b$ -

ANNEX G-2

View:

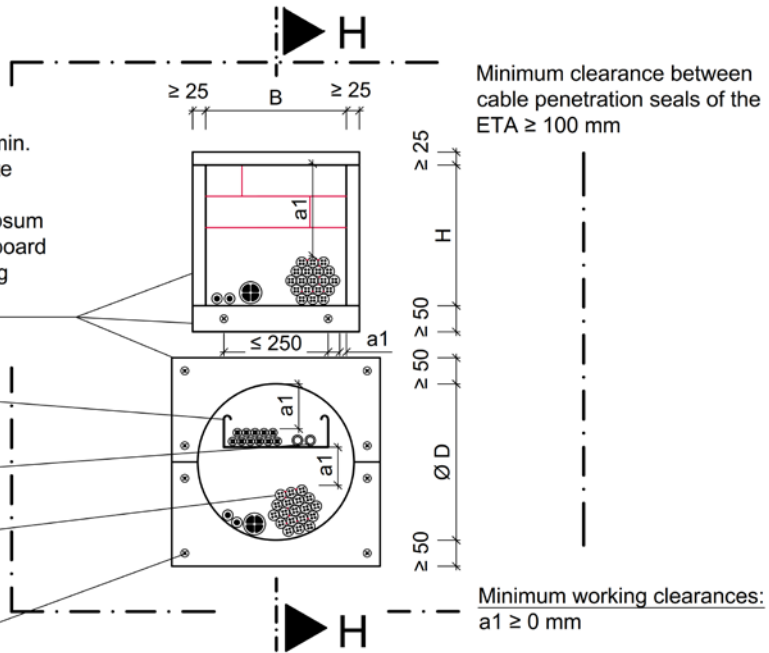
Lining (min. two layers of gypsum board of thickness $\geq 12,5$ mm or min. one layer of silicate/calcium silicate board of thickness ≥ 25 mm), alternatively frame made from gypsum board or silicate/ calcium silicate board ≥ 50 mm width around the opening (see ANNEX A-4 of the ETA)

Cable support constructions/ cables

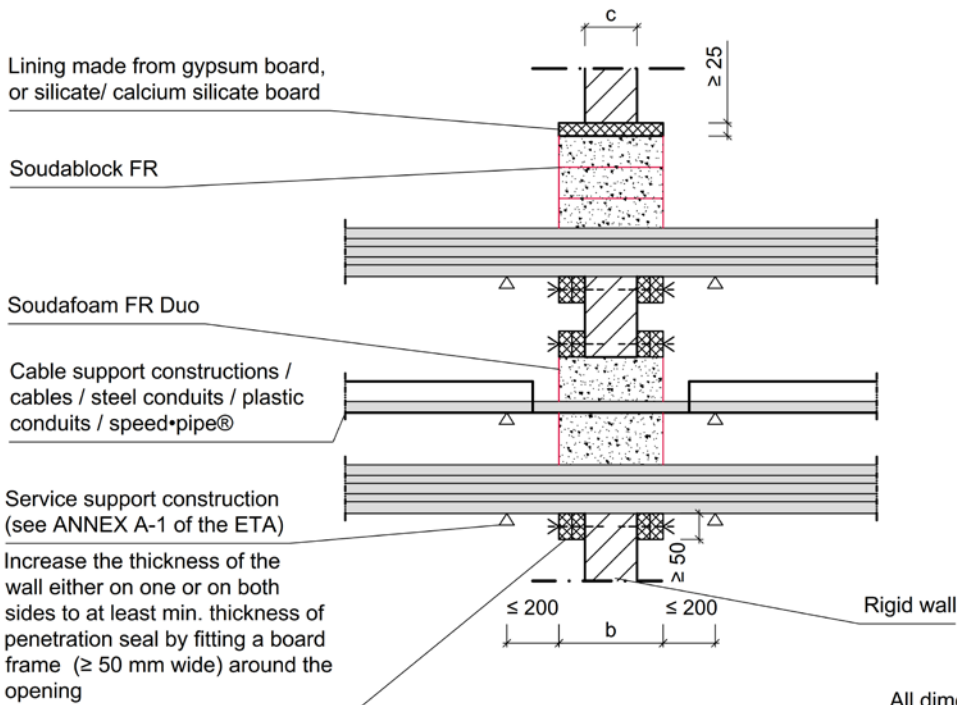
Steel conduits/ tubes, plastic conduits/ tubes, speed•pipe®

Tied cable bundles $\varnothing \leq 100$ mm

Fixing according to the ETA-holder's installation instruction



Cross Section H-H:



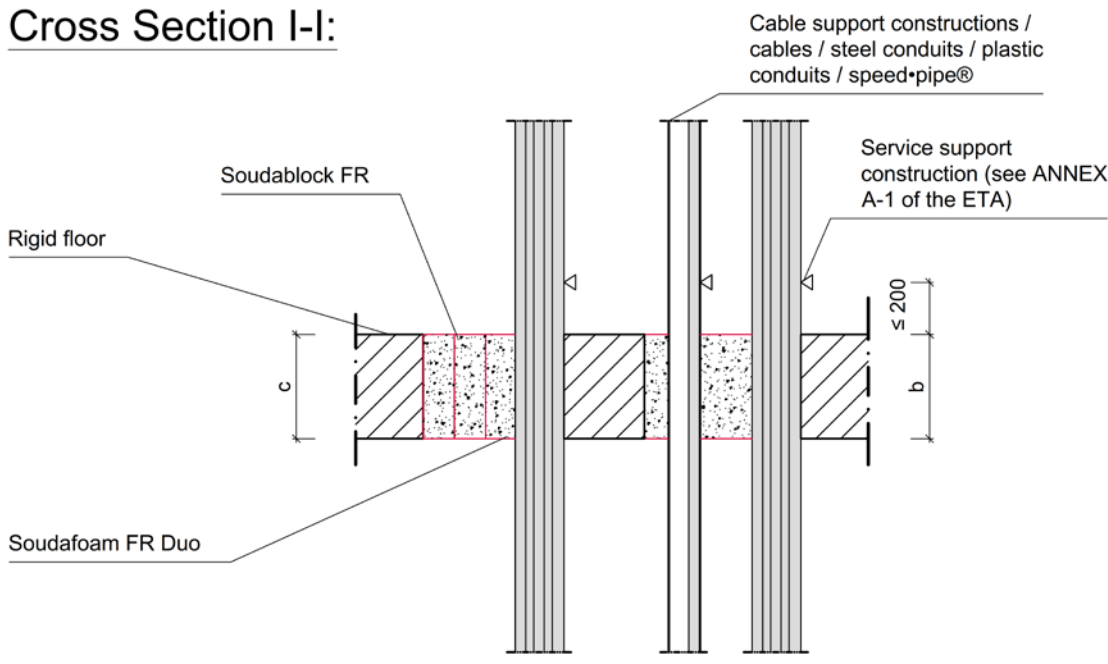
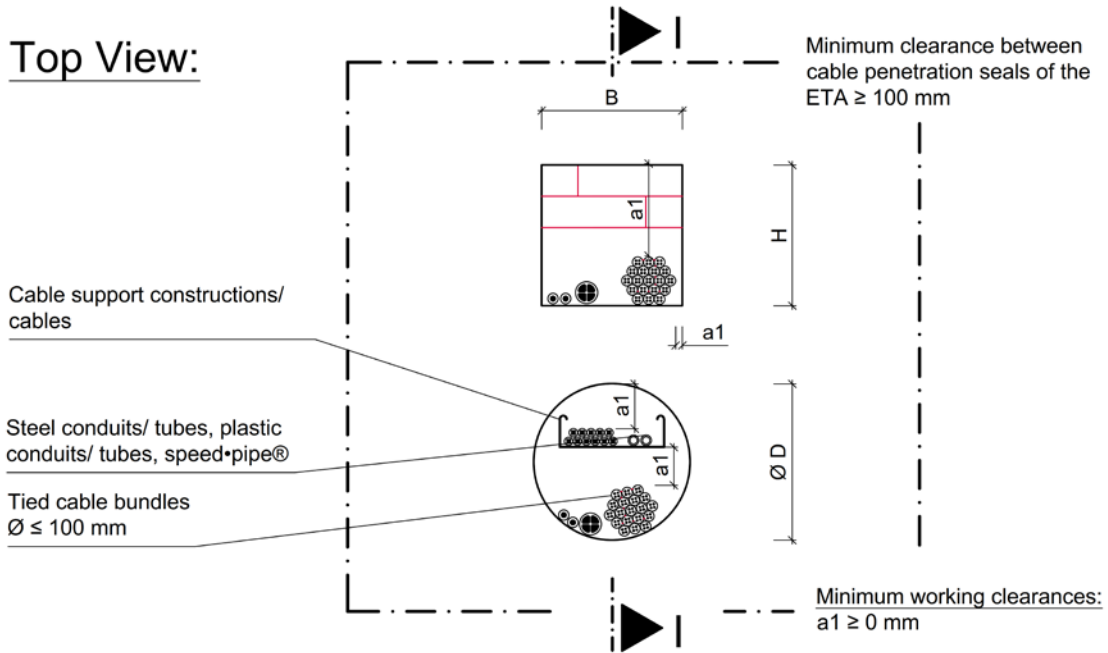
Separating element	Fire resistance classification	Wall thickness c [mm]	Max. opening size H [mm] x B [mm] / Ø D [mm]	Thickness of penetration seal (b)
Rigid wall	see ANNEX J-1 of the ETA	$100 \leq c < b$	$\leq 270 \times 270 / \varnothing \leq 300$	see ANNEX J-1 of the ETA

Soudafoam FR Duo fire protection system

- cable penetration seal

- Installation in rigid wall, thickness $100 \text{ mm} \leq c < b$ -

ANNEX G-3



All dimensions in mm

Separating element	Fire resistance classification	Wall thickness c [mm]	Max. opening size H [mm] x B [mm] / $\varnothing D$ [mm]	Thickness of penetration seal (b)
Rigid floor	see ANNEX J-1 of the ETA	$\geq b$ (min. 150 mm)	$\leq 270 \times 270 / \varnothing \leq 300$	see ANNEX J-1 of the ETA

Soudafoam FR Duo fire protection system
 - cable penetration seal
 - Installation in rigid floor, thickness $c \geq b$ -

ANNEX H-1

Top View:

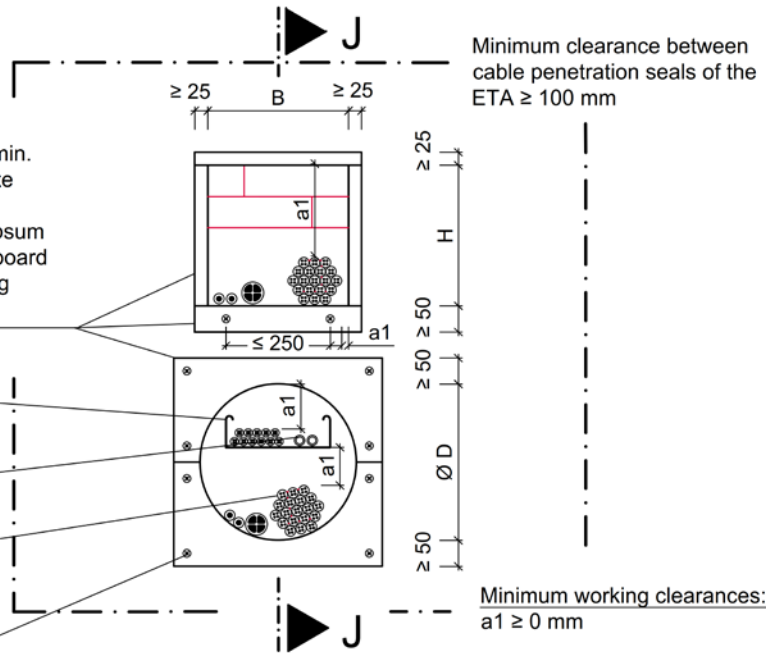
Lining (min. two layers of gypsum board of thickness $\geq 12,5$ mm or min. one layer of silicate/calcium silicate board of thickness ≥ 25 mm), alternatively frame made from gypsum board or silicate/ calcium silicate board ≥ 50 mm width around the opening (see ANNEX A-5 of the ETA)

Cable support constructions/ cables

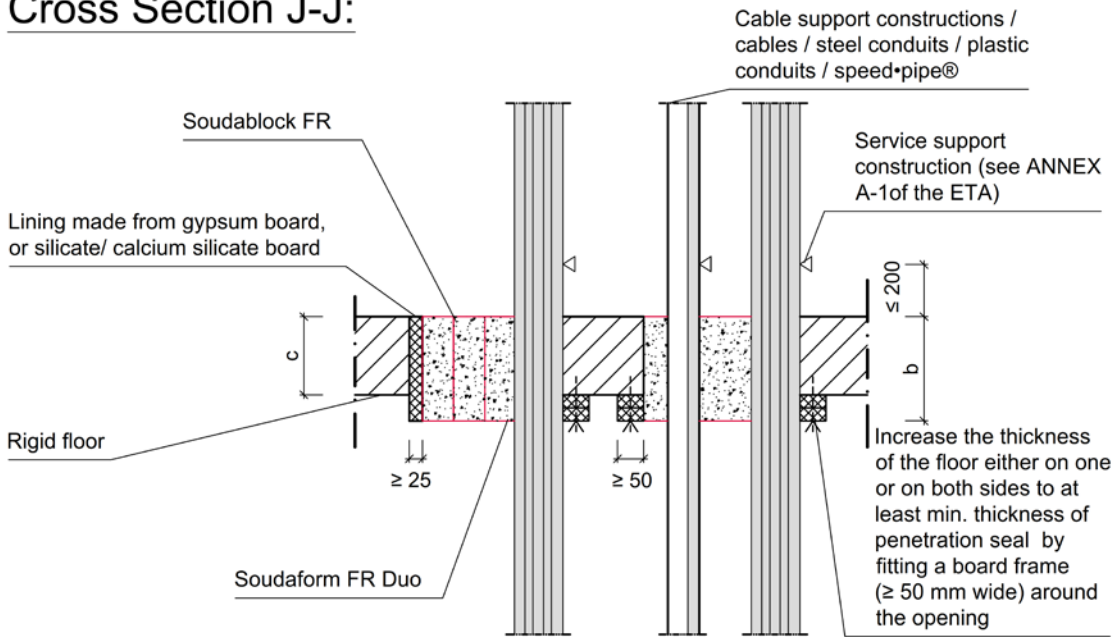
Steel conduits/ tubes, plastic conduits/ tubes, speed•pipe®

Tied cable bundles $\varnothing \leq 100$ mm

Fixing according to the ETA-holder's installation instruction



Cross Section J-J:



All dimensions in mm

Separating element	Fire resistance classification	Wall thickness c [mm]	Max. opening size H [mm] x B [mm] / Ø D [mm]	Thickness of penetration seal (b)
Rigid floor	see ANNEX J-1 of the ETA	$150 \leq c < b$	$\leq 270 \times 270 / \varnothing \leq 300$	see ANNEX J-1 of the ETA

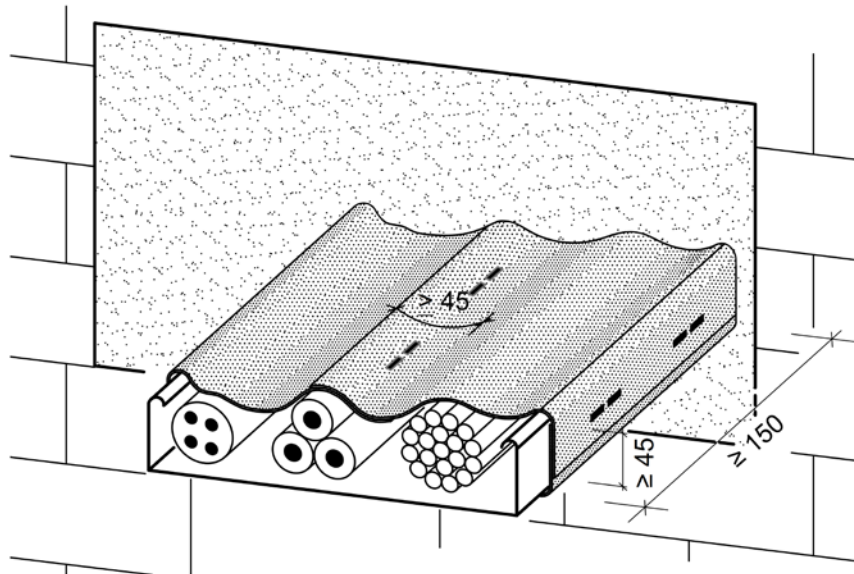
Soudafoam FR Duo fire protection system

- cable penetration seal

- Installation in rigid floor, thickness $150 \text{ mm} \leq c < b$ -

ANNEX H-2

Arrangement of Soudawrap Z Ins FR
for fire resistance classification EI 120
(see ANNEX J-1 of the ETA):



For fire resistance classification EI120:

The cables or cable trays have to be wrapped with strips of Soudawrap Z Ins FR of at least 150 mm width on both sides.

The glass fabric reinforcement fixed to one side of the wrap has to be on the outside. The ends of the wrap have to be fixed with two steel clips or steel wire according to the ETA-holder's installation instruction.

Strips have to overlap each other at least 45 mm.

All dimensions in mm

Soudafoam FR Duo fire protection system
- cable penetration seal
- Arrangement of "Soudawrap Z Ins FR" -

ANNEX I-1

Fire resistance classification of cable penetration seals:
Installation in flexible walls of at least 94 mm thickness and rigid walls of at least 100 mm thickness or rigid floors of at least 150 mm thickness
(max. opening size of 270 mm x 270 mm or Ø 300 mm)

Penetrating element	Min. thickness of Cable penetration seal			
	b ≥ 100 mm	b ≥ 144 mm	b ≥ 200 mm	b ≥ 250 mm
Sheathed electrical/ telecommunication /optical fibre cables up to a maximum outer diameter of 21 mm	E 120 EI 60	wall: E 120 / EI 120 floor: E 120 / EI 90	E 120 EI 120	E 120 EI 120
Sheathed electrical/ telecommunication /optical fibre cables up to a maximum outer diameter of 21 mm < Ø ≤ 50 mm	wall: E 120 / EI 45 / EI 60 ¹⁾	E 120 EI 60	E 120 EI 90 / EI 120 ²⁾	E 120 EI 120
Sheathed electrical/ telecommunication /optical fibre cables up to a maximum outer diameter of 50 mm < Ø ≤ 80 mm	---	E 120 EI 60	E 120 EI 90/ EI 120 ²⁾	E 120 EI 90
Tied bundles up to 100 mm overall diameter containing sheathed electrical/ telecommunication /optical fibre cables of a max. diameter up to 21 mm	---	E 120 EI 60	E 120 wall: EI 90 floor: EI 90/ EI 120 ²⁾	E 120 wall: EI 90 floor: EI 120
Non-sheathed cables up to a maximum outer diameter of 24 mm	---	E 120 wall: EI 45 floor: EI 30	E 120 wall: EI 90 floor: EI 60	E 120 wall: EI 90 floor: EI 60
Steel conduits/ tubes up to Ø 16 mm with/ without cables	---	E 120-U/C EI 60-U/C	E 120-U/U wall: EI 120-U/U floor: EI 90-U/U	E 120-U/U wall: EI 120-U/U floor: EI 120-U/U
Plastic conduits up to Ø 16 mm with/ without cables	---	E 120-U/C EI 120-U/C	E 120-U/U EI 120-U/U	E 120-U/U EI 120-U/U
Plastic conduits up to Ø 40 mm and bundles up to Ø 80 mm consisting of plastic conduits (Ø ≤ 40 mm) with/ without cables	---	E 120-U/C EI 120-U/C	wall: E 120-U/C / EI 120-U/C floor: E 120-U/U / EI 120-U/U	wall: E 120-U/C / EI 120-U/C floor: E 120-U/U / EI 120-U/U
Plastic conduits up to Ø 63 mm and bundles up to Ø 100 mm consisting of plastic conduits (Ø ≤ 63 mm) with/ without cables	---	wall: E 120-U/C / EI 120-U/C floor: E 90-U/C / EI 90-U/C	wall: E 120-U/C / EI 120-U/C floor: E 90-U/C / EI 90-U/C	wall: E 120-U/C / EI 120-U/C floor: E 90-U/C / EI 90-U/C
speed-pipe® up to Ø 12 mm and bundles up to Ø 80 mm consisting of speed-pipe® (Ø ≤ 12 mm) with/ without optical fibre cables	---	wall: E 120-U/C / EI 120-U/C floor: E 90-U/C / EI 90-U/C	wall: E 120-U/C / EI 120-U/C floor: E 90-U/C / EI 90-U/C	wall: E 120-U/C / EI 120-U/C floor: E 90-U/C / EI 90-U/C

- 1) A bead of Soudafoam FR Duo with min. dimension of 30 mm x 20 mm (length x thickness) has to be applied around the penetrating element on both sides of the penetration seal.
- 2) Soudawrap Z Ins FR (see ANNEX I-1 of the ETA) has to be wrapped around the penetrating element on both sides of the penetration seal.

Soudafoam FR Duo fire protection system
- cable penetration seal
- Fire resistance classification -

ANNEX J-1

blank page