



ETA-Danmark A/S  
Göteborg Plads 1  
DK-2150 Nordhavn  
Tel. +45 72 24 59 00  
Internet [www.etadanmark.dk](http://www.etadanmark.dk)

Authorised and notified  
according to Article 29 of the  
Regulation (EU)  
No 305/2011 of the European  
Parliament and of the Council  
of 9 March 2011



## European Technical Assessment ETA-21/0089 of 2021/01/03

### I General Part

**Technical Assessment Body issuing the ETA and designated according to Article 29 of the Regulation (EU) No 305/2011: ETA-Danmark A/S**

**Trade name of the construction product:**

Soudagraphite FR

**Product family to which the above construction product belongs:**

Fire Stopping and Sealing Product:  
• Penetration Seals

**Manufacturer:**

Soudal OY  
Teollisustie,  
51200 Kangasniemi  
Finland

**Manufacturing plant:**

A/003

**This European Technical Assessment contains:**

22 pages including 1 annex which form an integral part of the document

**This European Technical Assessment is issued in accordance with Regulation (EU) No 305/2011, on the basis of:**

EAD 350454-00-1104, September 2017

**This version replaces:**

-

**Translations of this European Technical Assessment in other languages shall fully correspond to the original issued document and should be identified as such.**

**Communication of this European Technical Assessment, including transmission by electronic means, shall be in full. However, partial reproduction may be made, with the written consent of the issuing Technical Assessment Body. Any partial reproduction has to be identified as such.**

**Table of Contents**

<b>I.</b>	<b>SPECIFIC PARTS OF THE EUROPEAN TECHNICAL ASSESSMENT .....</b>	<b>4</b>
1	Technical description of the product .....	4
2	Specification of the intended uses of the product in accordance with the applicable European Assessment Document (Hereinafter EAD): EAD 350454-00-1104.....	5
3	Performance of the product and references to the methods used for its assessment .....	6
4	ASSESSMENT AND VERIFICATION OF CONSTANCY OF PERFORMANCE (HEREINAFTER AVCP) SYSTEM APPLIED, WITH REFERENCE TO ITS LEGAL BASE.....	7
5	Technical details necessary for the implementation of the AVCP system, as provided for in the applicable EAD .....	7
	<b>ANNEX A – Resistance to Fire Classification – Soudagraphite FR .....</b>	<b>8</b>
	Flexible or rigid wall constructions with wall thickness of minimum 100 mm.....	8
A.1.1	Penetration seals, in drywalls* and concrete/masonry walls .....	8
A.1.2	Penetration seals with no backing material, in drywalls and concrete/masonry walls .....	10
A.2	Rigid walls constructions with wall thickness of minimum 150 mm .....	13
A.2.1	Penetration seals for pipes, in concrete/masonry walls .....	13
A.2.2	Penetration seals for cables, in concrete/masonry walls .....	14
A.2.3	Penetration seals for pipes, in concrete/masonry walls .....	15
A.3	Rigid floor constructions with floor thickness of minimum 150 mm.....	16
A.3.1	Penetration seals, surface mounted in concrete floors .....	16
A.3.2	Penetration seals, surface mounted in concrete floors .....	18
A.3.2.1	.....	18
A.3.3	Penetration seals, surfaces mounted in concrete floors .....	19
A.3.4	Penetration seals, surface mounted in concrete floors .....	21

**I. SPECIFIC PARTS OF THE EUROPEAN TECHNICAL ASSESSMENT**

**1 Technical description of the product**

- 1) Soudagraphite FR is a sealant and pipe closure device used to form penetration seals where insulated metallic pipes, combustible pipes, combustible cable conduits and cables penetrate walls and floors.
- 2) The Soudagraphite FR is supplied in liquid form contained within 310 & 380 ml cartridges and 600 ml foil packs. The sealant is gunned into the aperture in the separating element and around the service or services, to a specified depth utilising mineral fibre insulation backing material.
- 3) The applicant has submitted a written declaration that the product and/or constituents of the product contains no substances which have been classified as dangerous according to Directive 67/548/EEC and Regulation (EC) No. 1272/2008 and listed in the 'indicative list on dangerous substances' of the EGDS – taking into account the installation conditions of the construction product and the release scenarios resulting from there.

In addition to the specific clauses relating to dangerous substances contained in this European Technical Assessment, there may be other requirements applicable to the products falling within its scope (e.g. transposed European legislation and national laws, regulations and administrative provisions). In order to meet the provisions of the Construction Products Regulation, these requirements need also to be complied with, when and where they apply.

- 4) The use category of Soudagraphite FR in relation to BWR 3 (Hygiene, health and environment) is IA1, S/W3

**2 Specification of the intended uses of the product in accordance with the applicable European Assessment Document (Hereinafter EAD): EAD 350454-00-1104**

Detailed information and data is given in Annex A.

The intended use of system Soudagraphite FR is to reinstate the fire resistance performance of flexible wall and rigid wall and floor constructions, where they are penetrated by services.

- 1) The specific elements of construction that the system Soudagraphite FR may be used to provide a penetration seal in, are as follows:

Flexible walls: The wall must have a minimum thickness of 100 mm and comprise steel studs lined on both faces with minimum 2 layers of 12.5 mm thick boards. The walls must also incorporate a full fill core insulation of Stonewool (35kg/m<sup>3</sup> density).

Rigid walls: The wall must have a minimum thickness of 100 mm and comprise concrete, aerated concrete or masonry, with a minimum density of 650 kg/m<sup>3</sup>.

Rigid floors: The floor must have a minimum thickness of 150 mm and comprise aerated concrete or concrete with a minimum density of 650 kg/m<sup>3</sup>.

The supporting construction must be classified in accordance with EN 13501-2 for the required fire resistance period.

- 2) The system Soudagraphite FR may be used to provide a penetration seal with specific supporting constructions and substrates (for details see Annex A).
- 3) The provisions made in this European Technical Assessment are based on an assumed working life of the Soudagraphite FR of 30 years, provided that the conditions laid down in the manufacturers datasheet and instructions for the packaging/transport/storage/installation/use/repair are met. The indications given on the working life cannot be interpreted as a guarantee given by the producer or the Technical Assessment Body but are to be regarded only as a means for choosing the right products in relation to the expected economically reasonable working life of the works.
- 4) Type Z<sub>2</sub>: intended for use at internal conditions with humidity classes other than Z<sub>1</sub>, excluding temperatures below 0°C.

**3 Performance of the product and references to the methods used for its assessment**

Product-type: Sealant/Pipe closure		Intended use: Penetration Seal
	Basic Requirement	Performance
<b>BWR 2 Safety in case of fire</b>		
	Reaction to fire	No performance assessed
	Resistance to fire	Annex A
<b>BWR 3 Hygiene, health and environment</b>		
	Air permeability	No performance assessed
	Water permeability	No performance assessed
	Content, emission and/or release of dangerous substances	Use categories: IA1, S/W3 Declaration of manufacturer
<b>BWR 4 Safety in use</b>		
	Mechanical resistance and stability	No performance assessed
	Resistance to impact/movement	No performance assessed
	Adhesion	No performance assessed
	Durability	Z <sub>2</sub>
<b>BWR 5 Protection against noise</b>		
	Airborne sound insulation*	53 (0;-1) dB
<b>BWR 6 Energy economy and heat retention</b>		
	Thermal properties	No performance assessed
	Water vapour permeability	No performance assessed

\* At 25 mm depth

**4 ASSESSMENT AND VERIFICATION OF CONSTANCY OF PERFORMANCE (HEREINAFTER AVCP) SYSTEM APPLIED, WITH REFERENCE TO ITS LEGAL BASE**

According to the decision 1999/454/EC – Commission Decision of date 22nd June 1999 on the procedure for attesting the conformity of construction products pursuant to Article 20(2) of Council Directive 89/106/EEC as regards fire stopping, fire sealing and fire protective products, published in the Official Journal of the European Union (OJEU) L178/52 of 14/07/1999, see <http://eur-lex.europa.eu/JOIndex.do> of the European Commission<sup>1</sup>, as amended, the system(s) of assessment and verification of constancy of performance (see Annex V to Regulation (EU) No 305/2011) given in the following table(s) applies (apply).

Product(s)	Intended use(s)	Level(s) or class(es)	System(s)
Fire stopping and Fire Sealing Products	For fire compartmentation and/or fire protection or fire performance	Any	1

**5 Technical details necessary for the implementation of the AVCP system, as provided for in the applicable EAD**

Technical details necessary for the implementation of the AVCP system are laid down in the control plan deposited at ETA-Danmark A/S prior to CE marking

Issued in Copenhagen on 2021-01-03 by



Thomas Bruun

Managing Director, ETA-Danmark

---

<sup>1</sup> Official Journal of the European Communities L178/52 of 14/7/1999

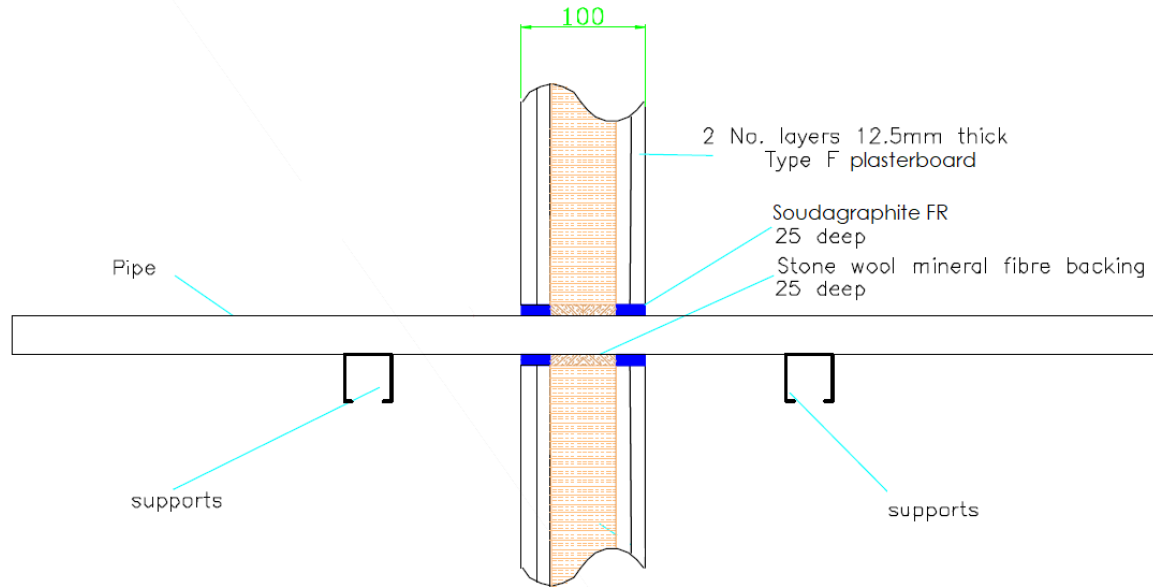
## ANNEX A – Resistance to Fire Classification – Soudagraphite FR

Flexible or rigid wall constructions with wall thickness of minimum 100 mm

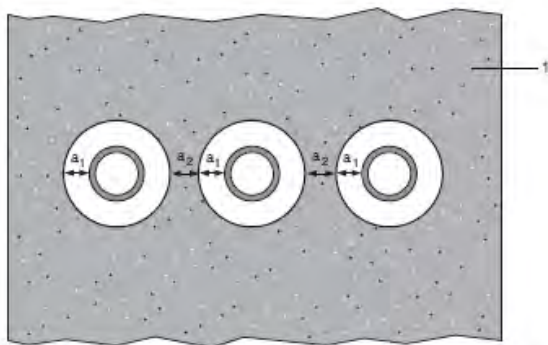
### A.1.1 Penetration seals, in drywalls\* and concrete/masonry walls

**Penetration Seal:** Combustible pipes sealed with Soudagraphite FR, 25 mm deep to both sides of the wall backed with Stonewool (35kg/m<sup>3</sup> density), 25 mm deep. Minimum separation between penetration seals of 30 mm (a<sub>2</sub>).

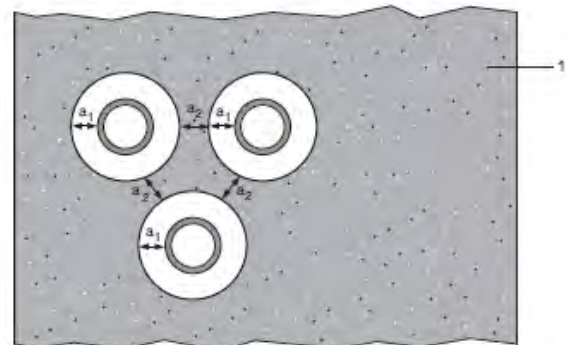
Construction details:



**Configuration 1**



**Configuration 2**



**Key**

1 Supporting construction

a<sub>1</sub> Pipe / edge of seal separation (annular space)

a<sub>2</sub> Separation between penetration seals

\* Partition wall must incorporate a full fill core insulation of Stonewool (35kg/m<sup>3</sup> density)



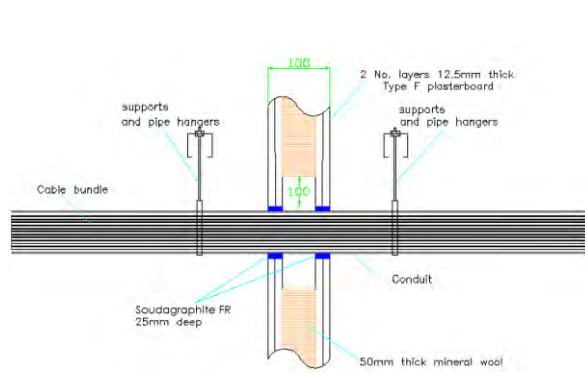
**A.1.1.1**

<b>Services</b>	<b>Seal &amp; Backing width (a1)</b>	<b>Permitted configuration for seal separation</b>	<b>Classification</b>
PVC-U pipe according to EN 1329-1, EN 1452-2 and EN 1453-1, PVC-C according to EN 1566-1			
Diameter 40 mm, wall thickness 1.9 – 3.7 mm to diameter 110 mm, wall thickness 2.7-6.6 mm	10-30 mm	1 & 2 between PVC-U pipes	<b>EI 120 U/C, EI 120 C/C</b>
Diameter 40, wall thickness 1.9 – 3.7 mm		1 & 2 between PVC-U pipes & between 40 mm $\varnothing$ PE pipes	
Diameter 40 mm, wall thickness 1.9 – 3.7 mm to diameter 110 mm, wall thickness 2.7-6.6 mm		1 & 2 between PVC-U pipes & between 40-110 mm $\varnothing$ PE pipes	<b>EI 60 U/C, EI 60 C/C</b>
Diameter 40 mm, wall thickness 1.9 – 3.7 mm to diameter 110 mm, wall thickness 2.7-6.6 mm		1 & 2 between PVC-U pipes & between 110 mm $\varnothing$ PP pipes	<b>EI 120 U/C, EI 120 C/C</b>
PE pipe according to EN 1519-1, EN 12201-2 and EN 12006-1, ABS according to EN 1455-1 and pipes made from SAN+PVC according to EN 1565-1			
Diameter 40 mm, wall thickness 2.4-3.7 mm	10-30 mm	1 & 2 between PE pipes & between 40 mm $\varnothing$ PVC-U pipes	<b>EI 120 U/C, EI 120 C/C</b>
Diameter 40, wall thickness 2.4-3.7 mm to diameter 110 mm, wall thickness 4.3-10 mm		1 & 2 between PE pipes & between 40-110 mm $\varnothing$ PVC-U pipes	<b>EI 60 U/C, EI 60 C/C</b>
Diameter 110 mm, wall thickness 4.3-10 mm		1 between PE pipes	<b>E 120 U/C, E 120 C/C EI 90 U/C, EI 90 C/C</b>
PP pipe according to EN 1852-1: 2009			
Diameter 110 mm, wall thickness 6.6 mm	30 mm	1 & 2 between 40-110 mm $\varnothing$ PVC-U pipes	<b>EI 120 U/C, EI 120 C/C</b>
Diameter 40 mm, wall thickness 1.8 - 5.5 mm	10 mm	1 & 2	<b>EI 90 U/C</b>

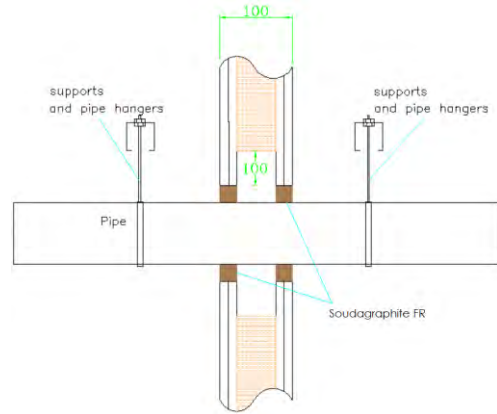
**A.1.2 Penetration seals with no backing material, in drywalls and concrete/masonry walls**

**Penetration Seal:** Combustible cable conduit or combustible pipes sealed with Soudagraphite FR, 25 mm deep to both sides of the wall without backing material. Minimum separation between penetration seals of 30 mm (a2).

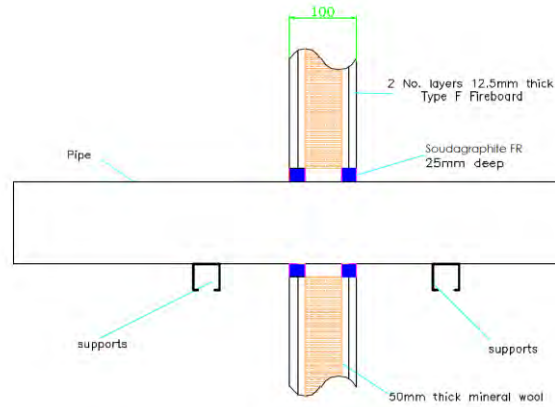
Construction details:



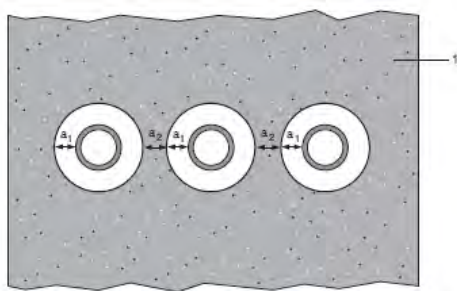
Construction details:



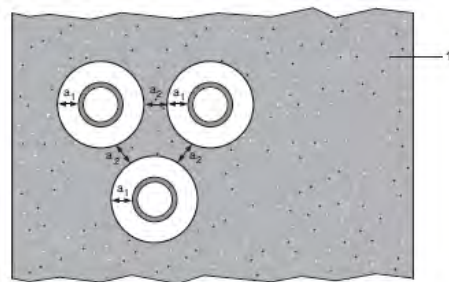
Construction details:



**Configuration 1**



**Configuration 2**



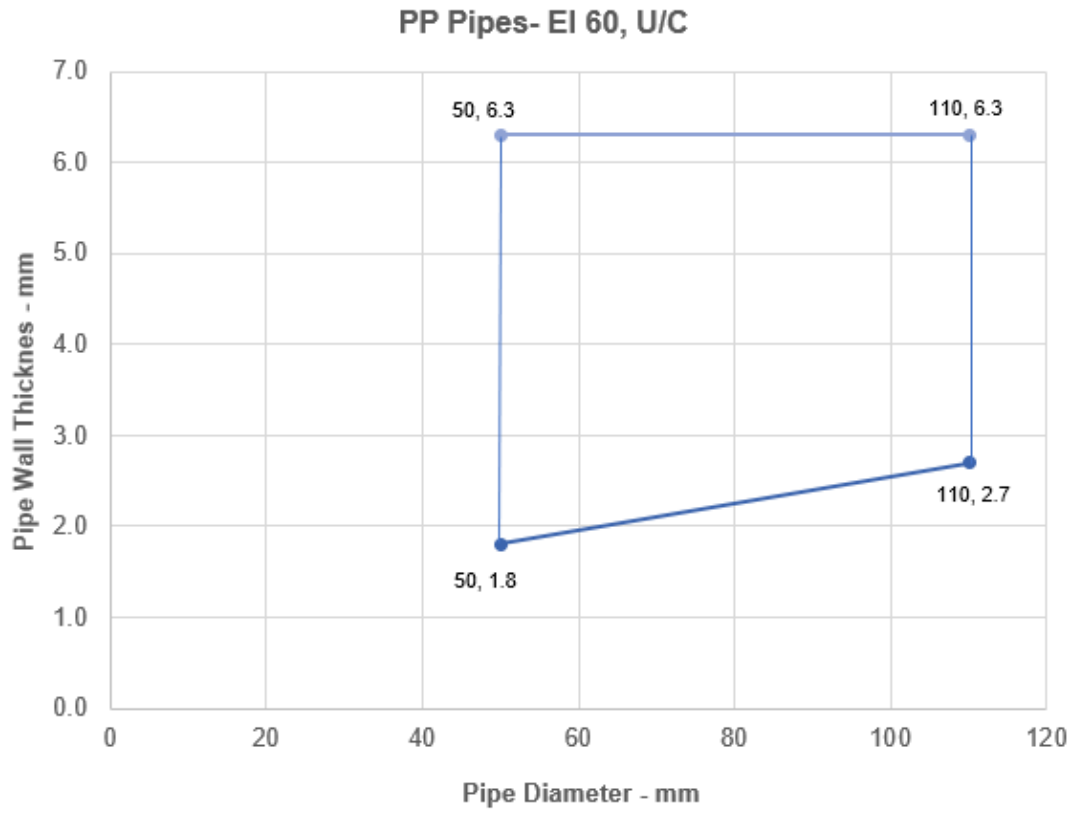
**Key**

- 1 Supporting construction
- a1 Pipe / edge of seal separation (annular space)
- a2 Separation between penetration seals

**A.1.2.1**

<b>Services</b>	<b>Seal width (a1)</b>	<b>Permitted configuration for seal separation</b>	<b>Classification</b>
PVC-U pipe according to EN 1329-1, EN 1452-2 and EN 1453-1, PVC-C according to EN 1566-1 or PP pipe according to EN 1852-1: 2009			
Maximum diameter 110 mm, wall thickness 1.9-6.6 mm for PVC pipes, fully or partially filled conduits with cables up to 20mm diameter	10-30 mm	1 & 2	<b>EI 90 U/C</b>
Maximum diameter 110 mm, wall thickness 2.7-6.6 mm for PP pipes, fully or partially filled conduits with cables up to 20mm diameter	10-30 mm	1 & 2	<b>EI 90 U/C</b>
PE pipe according to EN 1519-1, EN 12201-2 and EN 12006-1, ABS according to EN 1455-1 and pipes made from SAN+PVC according to EN 1565-1			
Maximum diameter 110 mm, wall thickness 2.4-10 mm, fully or partially filled conduits with cables up to 20mm conduit	10-30 mm	1 & 2	<b>EI 60 U/C</b>
PVC-U pipe according to EN 1329-1, EN 1452-2 and EN 1453-1, PVC-C according to EN 1566-1			
Maximum 160 mm diameter, wall thickness 3.2-9.5 mm	10-30 mm	1 & 2	<b>EI 30 U/C</b>
Maximum 160 mm diameter, wall thickness 9.5 mm	10-30 mm	1 & 2	<b>EI 90 U/C</b>
PP pipe according to EN 1852-1: 2009			
Maximum 110 mm, wall thickness 2.7 mm	10-30 mm	1 & 2	<b>EI 60 C/C</b>
Maximum 110 mm*	10-30 mm	1 & 2	<b>EI 60 U/C</b>

\*See below graph for interpolation pipe sizes

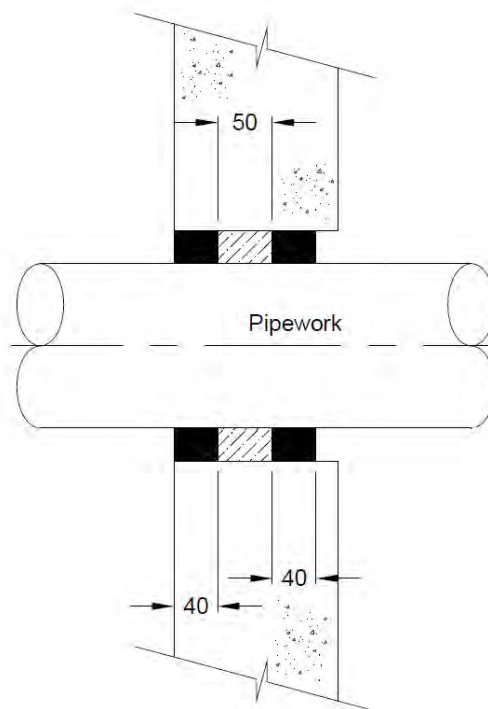


## A.2 Rigid walls constructions with wall thickness of minimum 150 mm

### A.2.1 Penetration seals for pipes, in concrete/masonry walls

**Penetration Seal:** Combustible pipes sealed with 40 mm deep Soudagraphte FR, to both sides of the wall backed with Soudal Fire Board Pro 2S, 50 mm thick. Minimum separation between penetration seals of 30 mm.

Construction details:



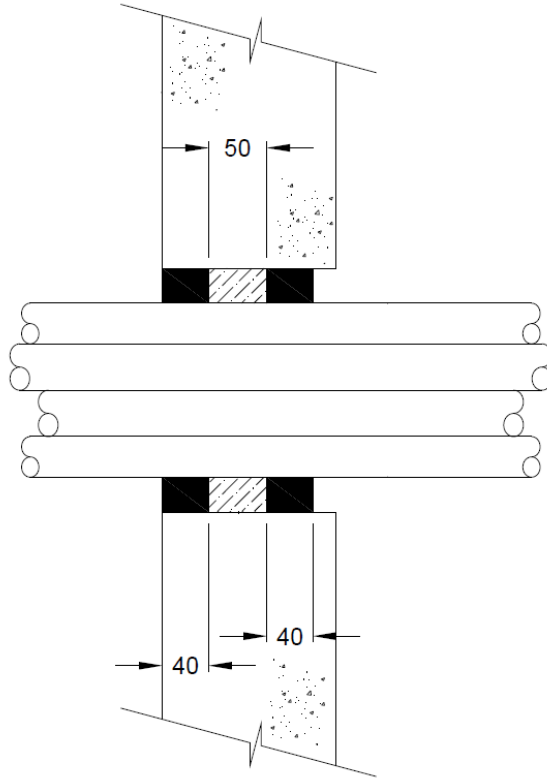
#### A.2.1.1

Services	Seal & Backing width	Classification
PVC-U pipe according to EN 1329-1, EN 1452-2 and EN 1453-1, PVC-C according to EN 1566-1		
Diameter 48 mm, wall thickness 3.2 mm	17 mm	<b>EI 240 U/C, EI 240 C/C</b>
Diameter 68 mm, wall thickness 2 mm	41 mm	
Diameter 110 mm, wall thickness 3.5 mm	22 mm	
PE pipe according to EN 1519-1, EN 12201-2 and EN 12006-1, ABS according to EN 1455-1 and pipes made from SAN+PVC according to EN 1565-1		
Diameter 32 mm, wall thickness 3.2 mm	25 mm	<b>EI 240 U/C, EI 240 C/C</b>
ABS pipe according to EN 1455-1		
Diameter 36 mm, wall thickness 2.3 mm	23 mm	<b>EI 240 U/C, EI 240 C/C</b>
Diameter 110 mm, wall thickness 3.5 mm	26 mm	

### A.2.2 Penetration seals for cables, in concrete/masonry walls

**Penetration Seal:** Cables sealed with 40 mm deep Soudagraphite FR, to both sides of the wall backed with Soudal Fire Board Pro 2S, 50 mm thick. Minimum separation between penetration seals of 30 mm.

Construction details:



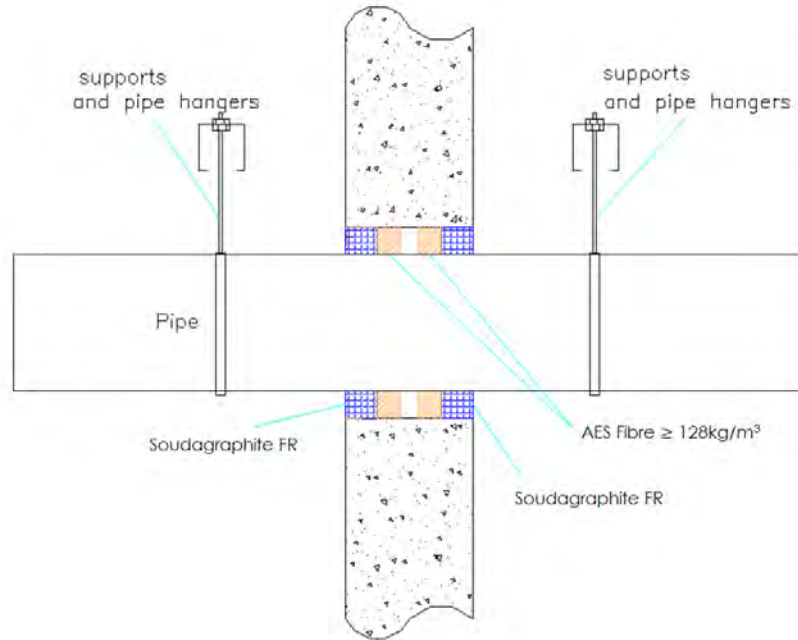
#### A.2.2.1

Services	Seal size (WxH or diameter)	Classification
150 x 25 mm perforated steel cable tray	200 x 100 mm	<b>E 240, EI 180</b>
20 mm diameter, single copper core armoured cable		
Twin/earth cable		
Ø 100 mm bundle of up to 4 no. 20mm diameter, single copper core armoured cable and 12 no. twin/earth cables	150 mm Ø	<b>E240, EI 60</b>

### A.2.3 Penetration seals for pipes, in concrete/masonry walls

**Penetration Seal:** Combustible pipes sealed with 35 mm deep Soudagraphite FR, to both sides of the wall backed with AES Fibre  $\geq 128\text{kg/m}^3$  backing material, 25 mm thick. Minimum separation between penetration seals of 30 mm.

Construction details:



#### A.2.3.1

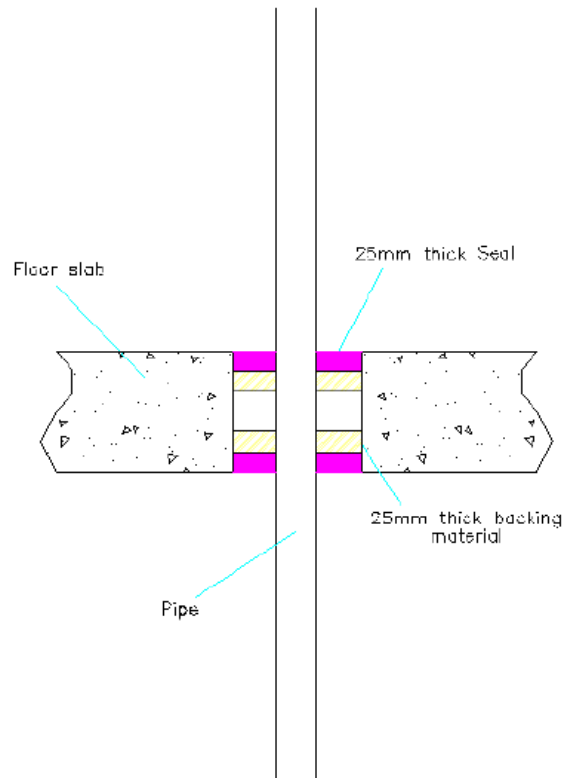
Services	Seal & Backing width (a1)	Classification
PVC-U pipe according to EN 1329-1, EN 1452-2 and EN 1453-1, PVC-C according to EN 1566-1		
Maximum 160 mm diameter, wall thickness 4.0-9.5 mm	10-30 mm	EI 90 U/C
Maximum 160 mm diameter, wall thickness 9.5 mm	10-30 mm	E 240, EI 180 U/C
PE pipe according to EN 1519-1, EN 12201-2 and EN 12006-1, ABS according to EN 1455-1 and pipes made from SAN+PVC according to EN 1565-1		
Maximum 160 mm diameter, wall thickness 4.9-9.5mm	10-30 mm	EI 30 U/C
PP pipe according to EN 1852-1: 2009		
Maximum 160 mm diameter, wall thickness 6.2-9.1 mm	10 mm	EI 30 U/C

### A.3 Rigid floor constructions with floor thickness of minimum 150 mm

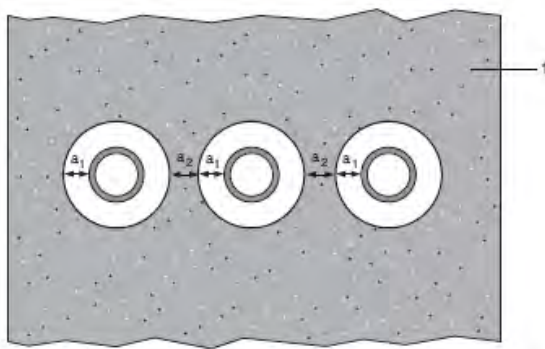
#### A.3.1 Penetration seals, surface mounted in concrete floors

**Penetration Seal:** Combustible pipes sealed with Soudagraphe FR, to both sides of the floor backed with Stonewool (35kg/m<sup>3</sup> density), 25 mm deep. Minimum separation between penetration seals of 30 mm.

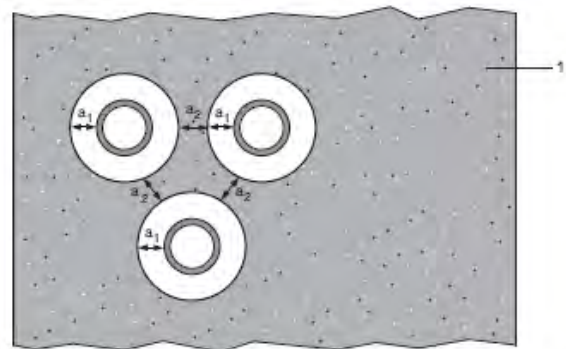
Construction details:



**Configuration 1**



**Configuration 2**



**Key**

- 1 Supporting construction
- a<sub>1</sub> Pipe / edge of seal separation (annular space)
- a<sub>2</sub> Separation between penetration seals



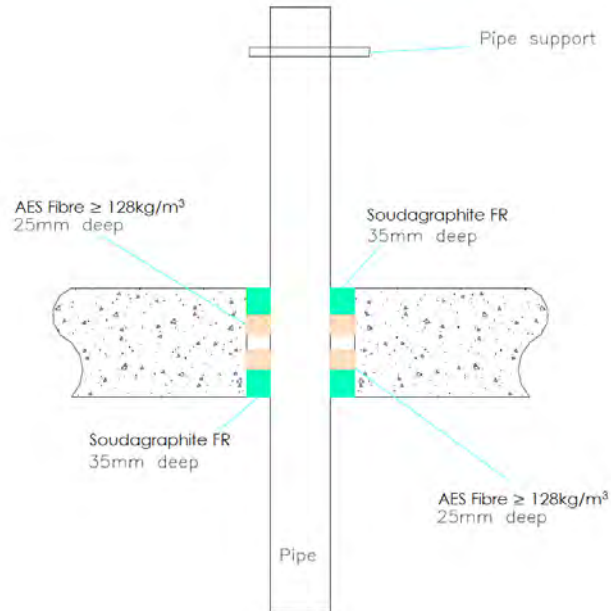
**A.3.1.1**

<b>Services</b>	<b>Seal &amp; Backing width</b>	<b>Permitted configuration for seal separation</b>	<b>Classification</b>
PVC-U pipe according to EN 1329-1, EN 1452-2 and EN 1453-1, PVC-C according to EN 1566-1			
Diameter 40 mm, wall thickness 1.8 – 3.7 mm	10-30 mm	1 & 2 between PVC-U pipes	<b>EI 240 U/U, EI 240 C/U, EI 240 U/C, EI 240 C/C</b>
Diameter 40 mm, wall thickness 1.8 – 3.7 mm to diameter 110 mm, wall thickness 2.7-6.6 mm		1 & 2 between PVC-U pipes & between 40-110 mm Ø PE pipes	<b>EI 90 C/U, EI 90 C/C</b>
PE pipe according to EN 1519-1, EN 12201-2 and EN 12006-1, ABS according to EN 1455-1 and pipes made from SAN+PVC according to EN 1565-1			
Diameter 40 mm, wall thickness 2.4-3.7 mm	10-30 mm	2 between PE pipes	<b>EI 60 U/U, EI 60 C/U, EI 60 U/C, EI 60 C/C</b> <b>EI 240 U/C, EI 240 C/C</b>
Diameter 40, wall thickness 2.4-3.7 mm to diameter 110 mm, wall thickness 4.3-10 mm		1 & 2 between PE pipes & between 40-110 mm Ø PVC-U pipes	<b>EI 60 U/C, EI 60 C/C</b>
Diameter 110 mm, wall thickness 4.3-10 mm		2 between PE pipes	<b>EI 90 U/C, EI 90 C/C</b>
Diameter 110 mm, wall thickness 10 mm		2 between PE pipes	<b>EI 60 U/U, EI 60 C/U, EI 60 U/C, EI 60 C/C</b>

### A.3.2 Penetration seals, surface mounted in concrete floors

**Penetration Seal:** Combustible pipes sealed with Soudagraphite FR, 35 mm deep to both sides of the floor backed with Protecta AES Fibre  $\geq 128\text{kg/m}^3$  Wool ( $128\text{kg/m}^3$  density), 25 mm deep. Minimum separation between penetration seals of 30 mm.

Construction details:



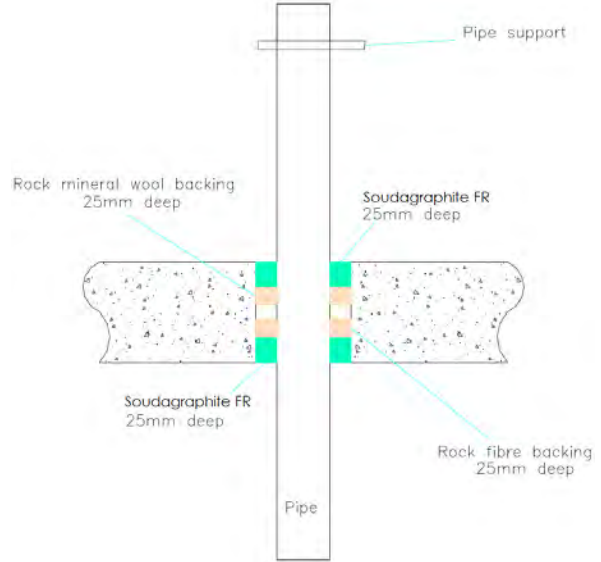
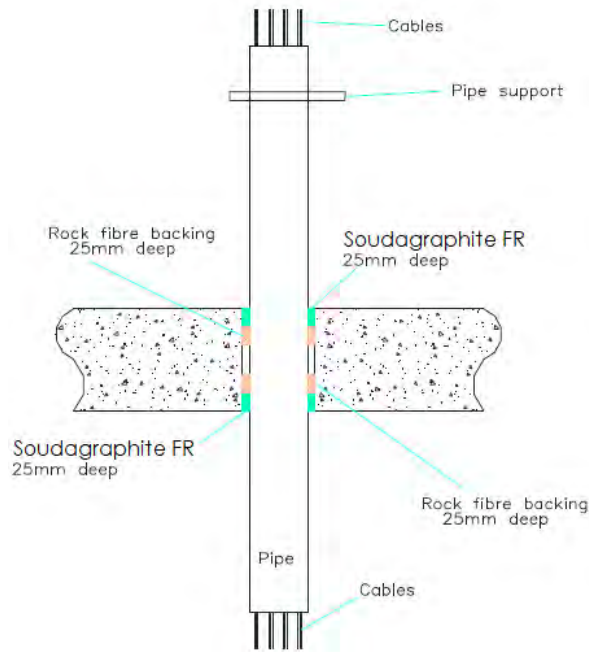
#### A.3.2.1

Services	Seal & Backing width (a1)	Classification
PVC-U pipe according to EN 1329-1, EN 1452-2 and EN 1453-1, PVC-C according to EN 1566-1		
Maximum 160 mm diameter, wall thickness 4.0-9.5mm	10-30 mm	EI 60 U/C
PE pipe according to EN 1519-1, EN 12201-2 and EN 12006-1, ABS according to EN 1455-1 and pipes made from SAN+PVC according to EN 1565-1		
Maximum 160 mm diameter, wall thickness 4.9-14.6 mm	10-30 mm	EI 30 U/C
Maximum 160 mm diameter, wall thickness 14.6 mm	10-30 mm	EI 60 U/C

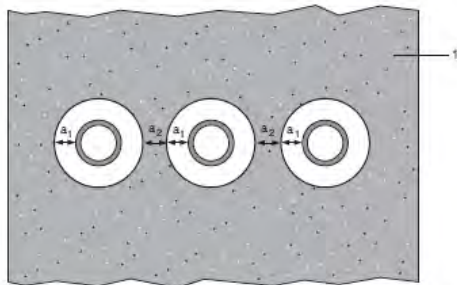
### A.3.3 Penetration seals, surfaces mounted in concrete floors

**Penetration Seal:** Combustible pipes sealed with Soudagraphite FR, 25 mm deep to both sides of the floor backed with Rock mineral wool (33kg/m<sup>3</sup> density), 25 mm deep. Minimum separation between penetration seals of 30 mm (a<sub>2</sub>).

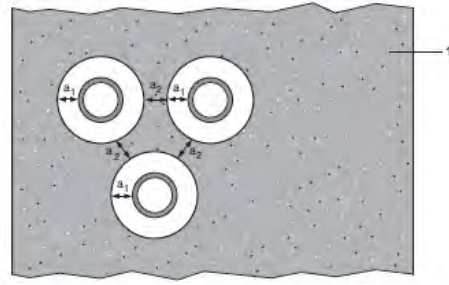
Construction details:



**Configuration 1**



**Configuration 2**



**Key**

- 1 Supporting construction
- a<sub>1</sub> Pipe / edge of seal separation (annular space)
- a<sub>2</sub> Separation between penetration seals

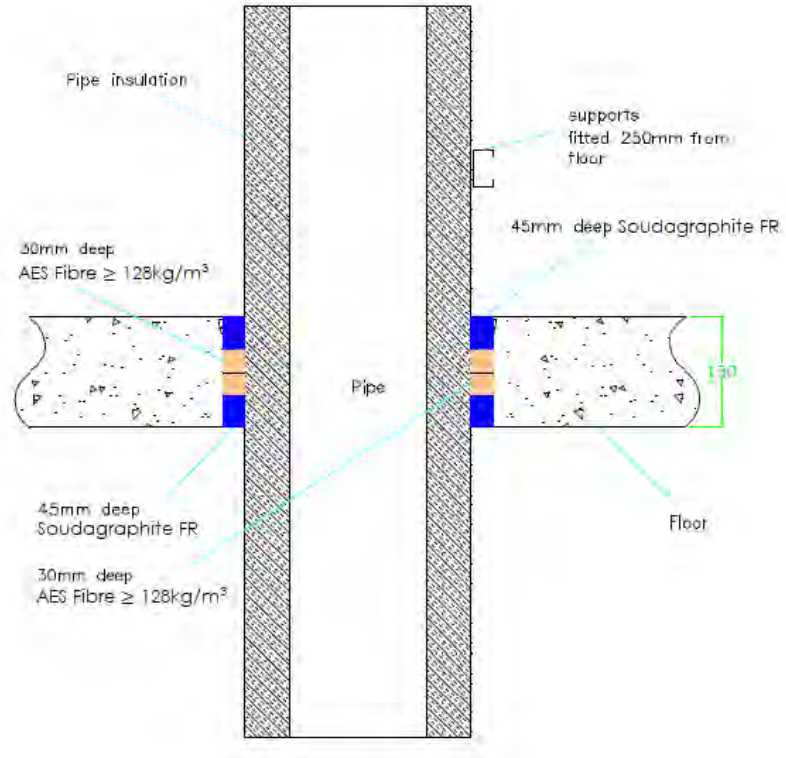
**A.3.3.1**

<b>Services</b>	<b>Seal width (a1)</b>	<b>Permitted configuration for seal separation</b>	<b>Classification</b>
PVC-U pipe according to EN 1329-1, EN 1452-2 and EN 1453-1, PVC-C according to EN 1566-1 or PP pipe according to EN 1852-1: 2009			
Maximum diameter 110 mm, wall thickness 1.8-6.6 mm for PVC pipes, fully or partially filled conduits with cables up to 20 mm diameter	10-30 mm	1 & 2	<b>EI 90 U/C</b>
Maximum diameter 110 mm, wall thickness 2.7 mm for PP pipes, fully or partially filled conduits with cables up to 20 mm diameter	10-30 mm	1 & 2	<b>EI 90 U/C</b>
Maximum diameter 110 mm, wall thickness 1.8-6.3 mm for PP pipes, fully or partially filled conduits with cables up to 20 mm diameter	10-30 mm	1 & 2	<b>EI 30 U/C</b>
PE pipe according to EN 1519-1, EN 12201-2 and EN 12006-1, ABS according to EN 1455-1 and pipes made from SAN+PVC according to EN 1565-1			
Maximum diameter 110 mm, wall thickness 2.4-10 mm, fully or partially filled conduits with cables up to 20 mm diameter	10-30 mm	1 & 2	<b>EI 60 U/C</b>
PP pipe according to EN 1852-1: 2009			
Maximum 40 mm diameter, wall thickness 1.8 mm	10-30 mm	1 & 2	<b>EI 120 C/C</b>
Maximum 110 mm diameter, wall thickness 1.8-6.3 mm	10-30 mm	1 & 2	<b>EI 30 U/C</b>

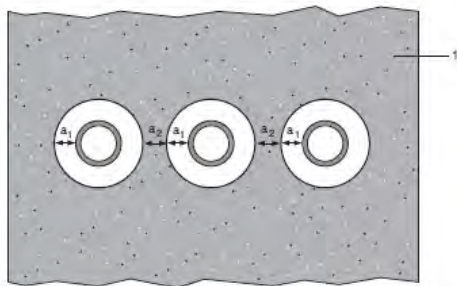
### A.3.4 Penetration seals, surface mounted in concrete floors

**Penetration Seal:** Metallic pipes insulated with Elastomeric insulation minimum class B-s3, d0, Continuous Sustained (CS), sealed with Soudagraphite FR, 45 mm deep to both sides of the floor and backed with AES Fibre  $\geq 128\text{kg/m}^3$ , 30 mm deep. Minimum separation between penetration seals of 30 mm (a2).

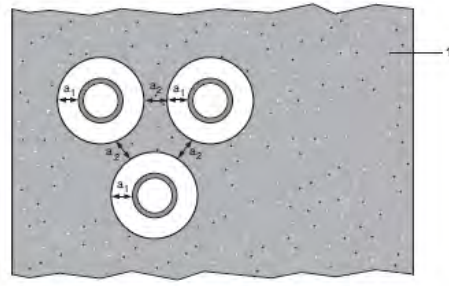
Construction details:



**Configuration 1**



**Configuration 2**



**Key**

- 1 Supporting construction
- a1 Pipe / edge of seal separation (annular space)
- a2 Separation between penetration seals

**A.3.4.1**

<b>Services</b>	<b>Seal &amp; backing material width (a1)</b>	<b>Permitted configuration for seal separation</b>	<b>Insulation CS</b>	<b>Classification</b>
Mild or stainless steel pipe, with Elastomeric insulation minimum class B-s3, d0				
Maximum 324 mm diameter, wall thickness 1.0-14.2 mm	10-30 mm	1 & 2	25-50 mm Elastomeric insulation minimum class B-s3, d0	<b>EI 60 C/U</b>
Maximum 324 mm diameter, wall thickness 6.35-14.2 mm	10-30 mm	1 & 2	50 mm Elastomeric insulation minimum class B-s3, d0	<b>EI 120 C/U</b>